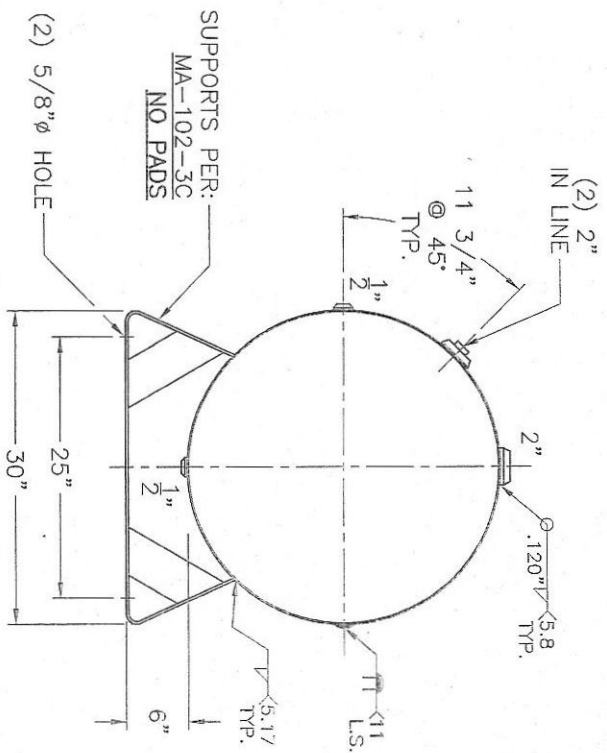


VIEW W/O SUPPORTS



NOTE: 1) HYDRO @ 260 PSIG. MIN.

SHELL / HEADS		M.A.W.P. 200 PSIG. @ 400 °F	
.166" SA-414-G 2:1 S.E.		M.D.M.T. -20 °F @ 200 PSIG.	
(.164" MIN.) JOGGLE		ASME SECTION VIII DIV. 1, 2010 ADD 2011	
.200" SA-455		X-RAY: RT-NO	
		GALLONS: 200	
		WT. 450 LBS.	
		SERIAL NO.	
		N.B.	
FOR: HANSON STANDARD		REV. 9-9-13	
HORIZ. AIR TANK		DATE: 12-1-87	
SURFACE AREA = 50.9 SQ. FT.			
INSIDE: UNPAINTED			
OUTSIDE: PRIME			
CAD-"B" SIZE UNDER "STD"-SERIES			
BY: E.S.		SCALE: 1"=12"	
ROY F. HANSON JR. MFG.			
1600 E. WASHINGTON BLVD.			
LOS ANGELES, CA 90021			