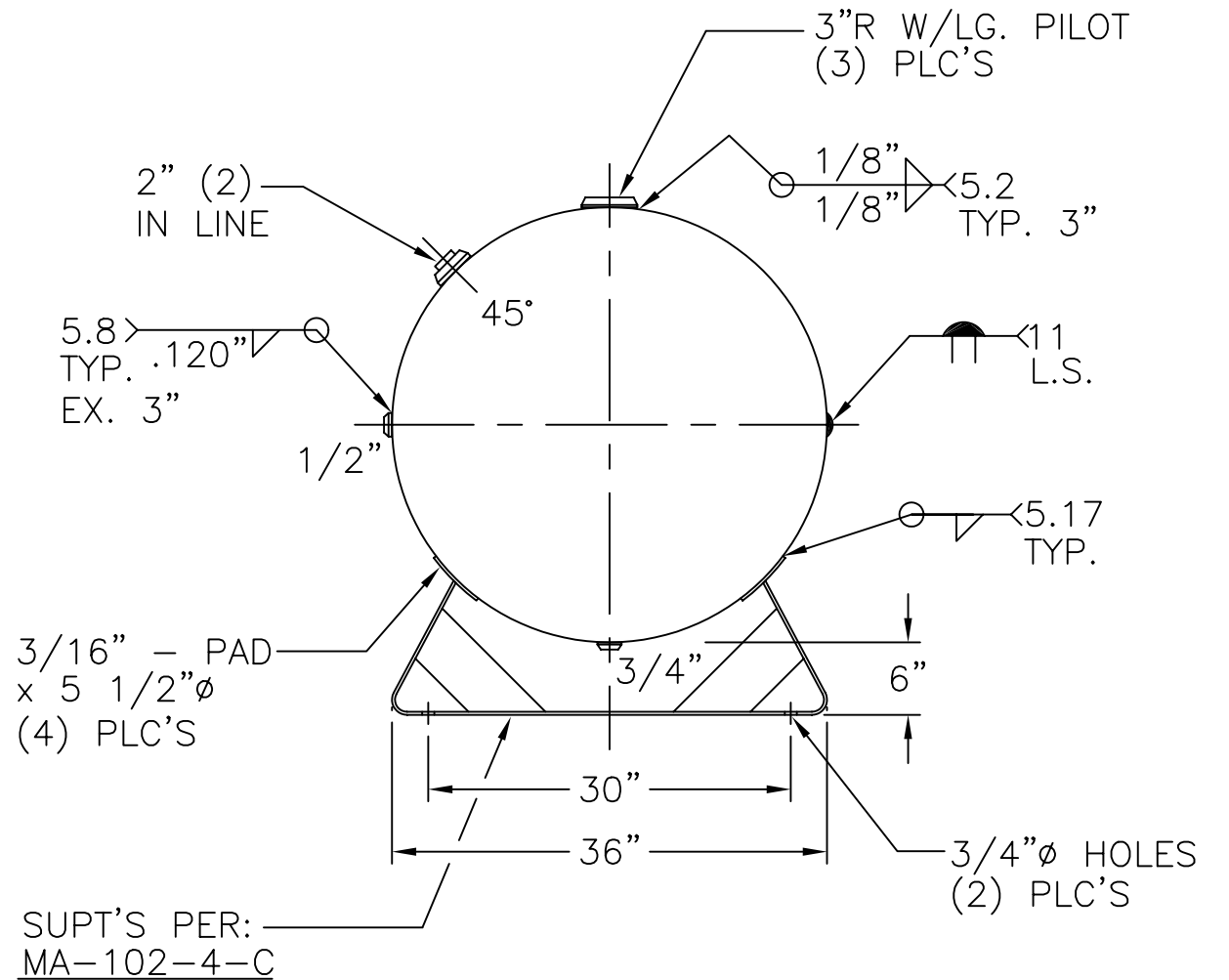


VIEW W/OUT SUPT'S



NOTE: 1) HYDRO @ 325 PSIG. MIN.

HEADS	.210" SA-455 2:1 S.E.	36-HC-400-W	REV. 11-12-02
	JOGGLE - .249 OFFSET		DATE: 9-5-80
SHELL	.248" SA-455	FOR: HANSON STANDARD	
		HORIZ. AIR TANK	
		INSIDE: UNPAINTED	
		OUTSIDE: PRIME	
		CAD-"B" SIZE UNDER "STD"-SERIES	
		BY: J.G.	SCALE: 3/4"=12"
		<b>ROY E. HANSON JR. MFG.</b>	
		1924 COMPTON AVE.	
		LOS ANGELES, CA 90011	

M.A.W.P. 250 PSIG. @ 400 °F  
M.D.M.T. -20 °F @ 250 PSIG.  
ASME SECTION VIII DIV. 1, 2001  
X-RAY: RT-4 SPOT L.S. & G.S.  
GALLONS: 400 WT. 855 LBS.  
SERIAL NO.