

6"-150# R.F.S.O. S.S. FLAG:  
W/SCH 80, SA-312-304  
SMLS. PIPE x 7 5/8"LG.  
(2) PLC'S

STICK OUT

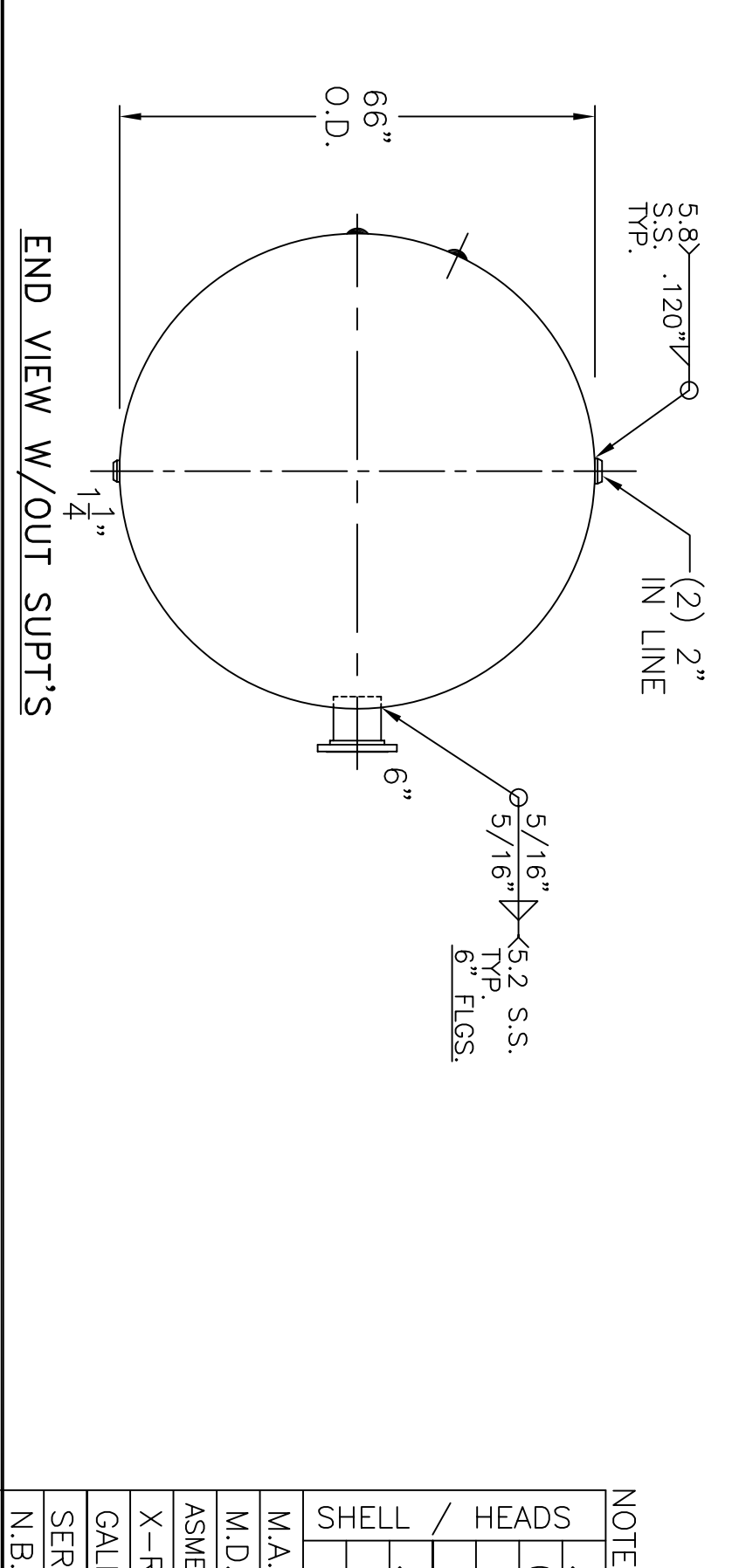
4" ON OUTS

12" x 16" M.WAY  
W/ 3/4" x 3" LG.  
SA-240-304

SUP'T PER: \_\_\_\_\_  
MB-633-B

NOTE: 1) 2) PIPES SA-312-304 SMLS., FLG'S & FNPT SA-182-304 S.S.  
HYDRO @ 195 PSIG. MIN.

SHELL / HEADS	.375" SA-240-304 2:1 S.E. (.359" MIN.)	66-HQ-3000-W 304 S.S.	REV. 10-25-11 DATE: 8-23-11
	.3125" SA-240-304	FOR: HANSON STANDARD	
		HORIZ. AIR TANK	
		SURFACE AREA = 329.1 SQ. FT.	
		UW-21 (b)	
		INSIDE: PASSIVATE	
		OUTSIDE: BEAD BLAST & PASSIVATE	
M.A.W.P.	137 PSIG. @ 400 °F	BY: J.G.	SCALE: 1/2" = 12"
M.D.M.T.	-20 °F @ 137 PSIG.	<b>ROY E. HANSON JR. MFG.</b>	
ASME SECTION VIII	DIV. 1, 2010 ADD. 2010	1600 E. WASHINGTON BLVD. LOS ANGELES, CA 90021	
X-RAY: RT-4 SPOT L.S. ONLY			
GALLONS: 3000	WT. 5194 LBS.		
SERIAL NO.			
N.B.			



END VIEW W/OUT SUP'T'S