

3/4"Ø SOLAR
 L. LUG
 (2) PLC'S.

5.18
 TYP.

5/8" STICK OUT

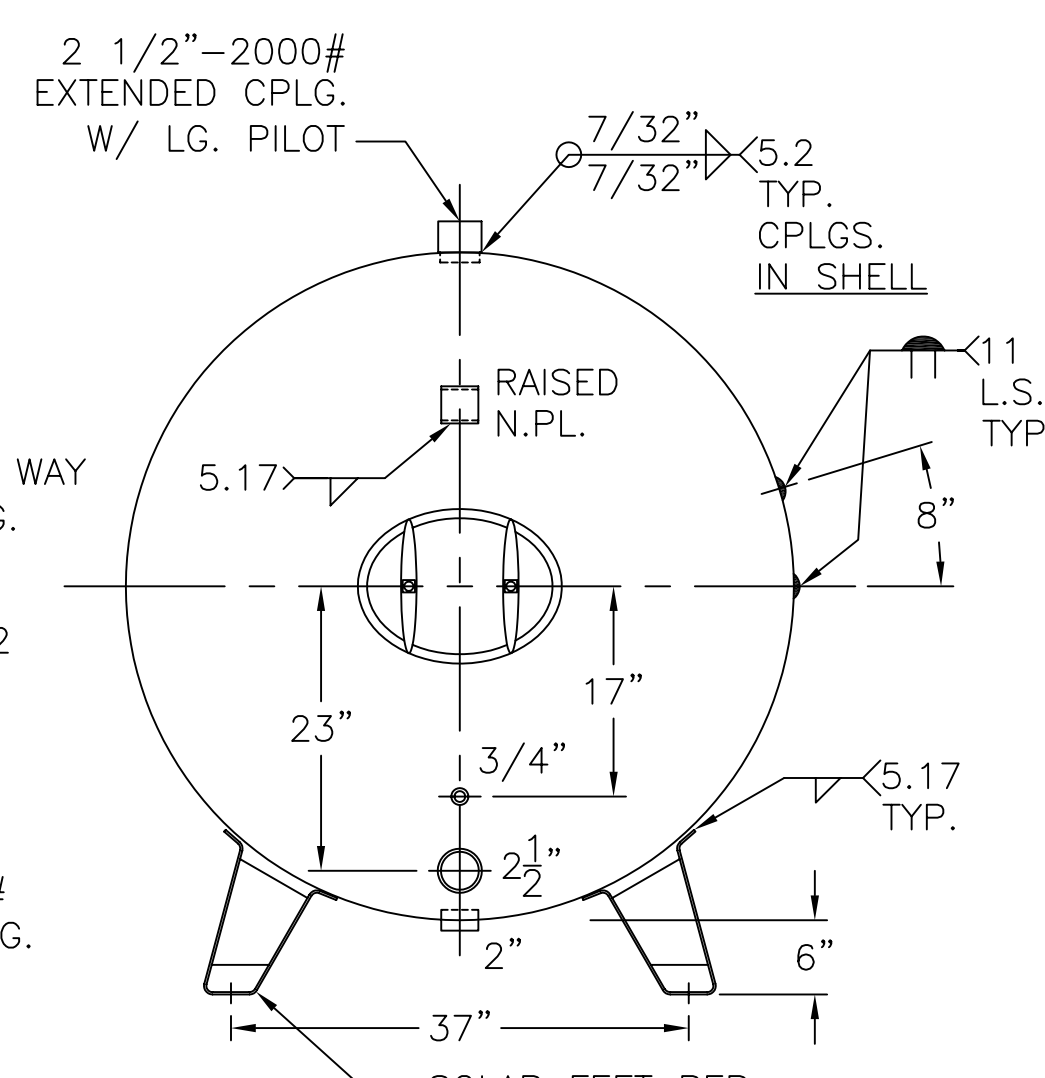
11"x 15" M. WAY
 W/ 1"x 4" LG.
 GR.70 RING

5/16"
 5/16" <5.2

3/4"-3000#
 FULL CPLG.
 (2) PLC'S.

2 1/2"-2000#
 EXTENDED CPLG.
 W/ NO PILOT
 (2) PLC'S.

12
 TYP.



2 1/2"-2000#
 EXTENDED CPLG.
 W/ LG. PILOT

7/32"
 7/32" <5.2
 TYP.
 CPLGS.
 IN SHELL

RAISED
 N.PL.

5.17

11
 L.S.
 TYP.

8"

17"

3/4"

5.17
 TYP.

23"

2 1/2"

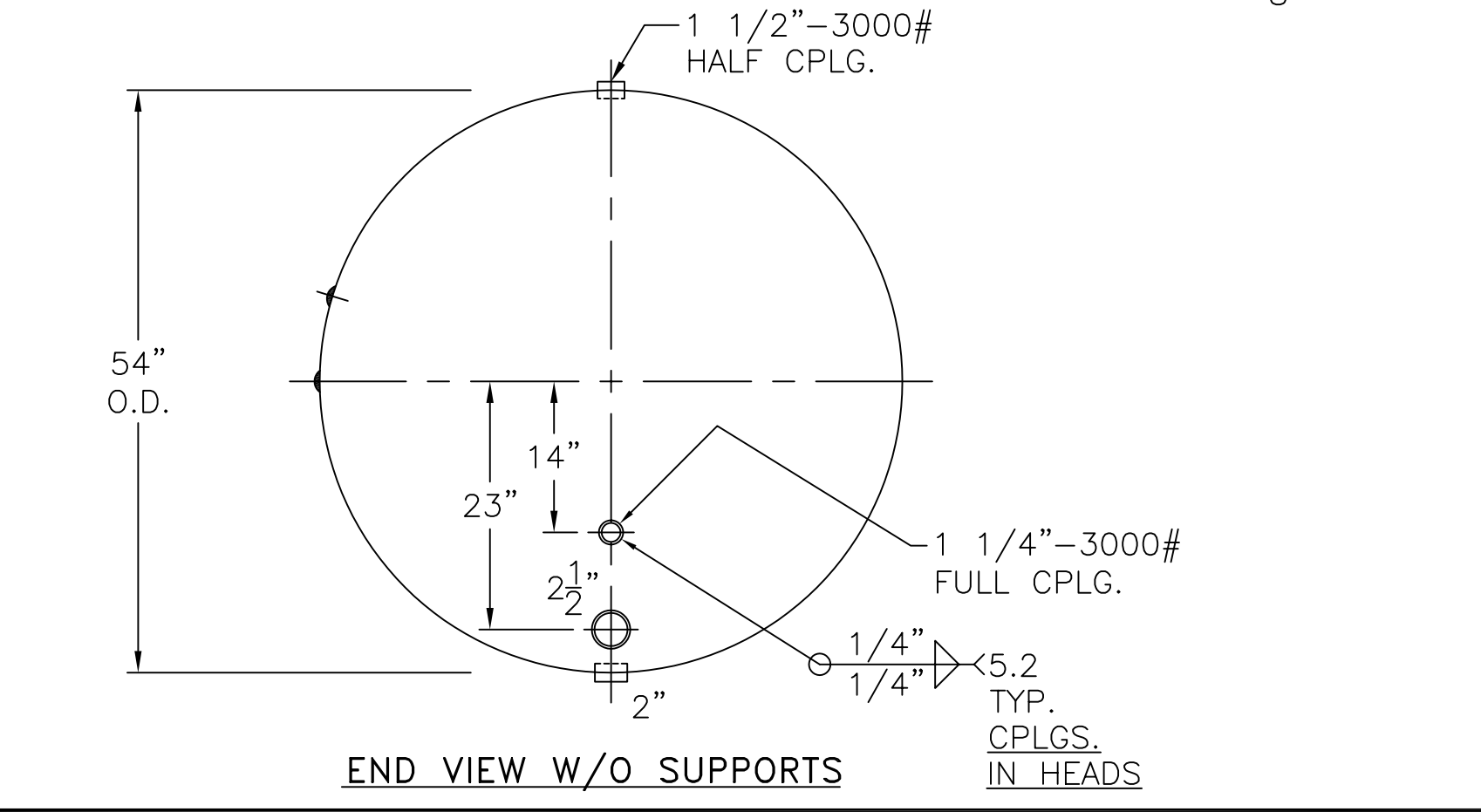
2"

6"

37"

SOLAR FEET PER:
 S-56 1/2-1140-H-1C

- 4) SHELL: 8-4-04 PROOF TEST.
 3) EXTEND ALL CPLGS. 5/8" INSIDE.
 2) HYDRO @ 240 PSIG. MIN.
 NOTE: 1) SEAL ALL OPENINGS TO KEEP CEMENT MOIST TO PREVENT CRACKING.



END VIEW W/O SUPPORTS

HEADS	.250" SA-455 2:1 S.E.
	(.249" MIN.) JOGGLE
SHELL	.225" SA-455
	M.A.W.P. 160 PSIG. @ 210 °F
ASME. SECTION IV 2001 ADD 2003	
X-RAY: RT-NO / H.L.W.	
GALLONS: 1225 WT. 3148 LBS.	
SERIAL NO.	
N.B.	

CS-54-1225-H	REV. 9-20-04
	DATE: 10-4-89
FOR: HANSON STANDARD	
HORIZ. HOT WATER TANK	
168.3 SQ. FT. SURFACE AREA. THIS TANK IS SHIPPED WITH ALL OPENINGS SEALED. THE CEMENT LINING MUST BE KEPT MOIST BEFORE, DURING, AND AFTER INSTALLATION TO PREVENT CRACKING OF THE CEMENT.	
INSIDE: CEMENT LINED (1180)	
OUTSIDE: PRIME	
CAD-"B" UNDER "STD"-SERIES	
BY: E.S.	SCALE: 3/4"=12"
ROY E. HANSON JR. MFG.	
1924 COMPTON AVE. LOS ANGELES, CA 90011	

1 1/4"-3000#
 FULL CPLG.

1/4"
 1/4" <5.2
 TYP.
 CPLGS.
 IN HEADS