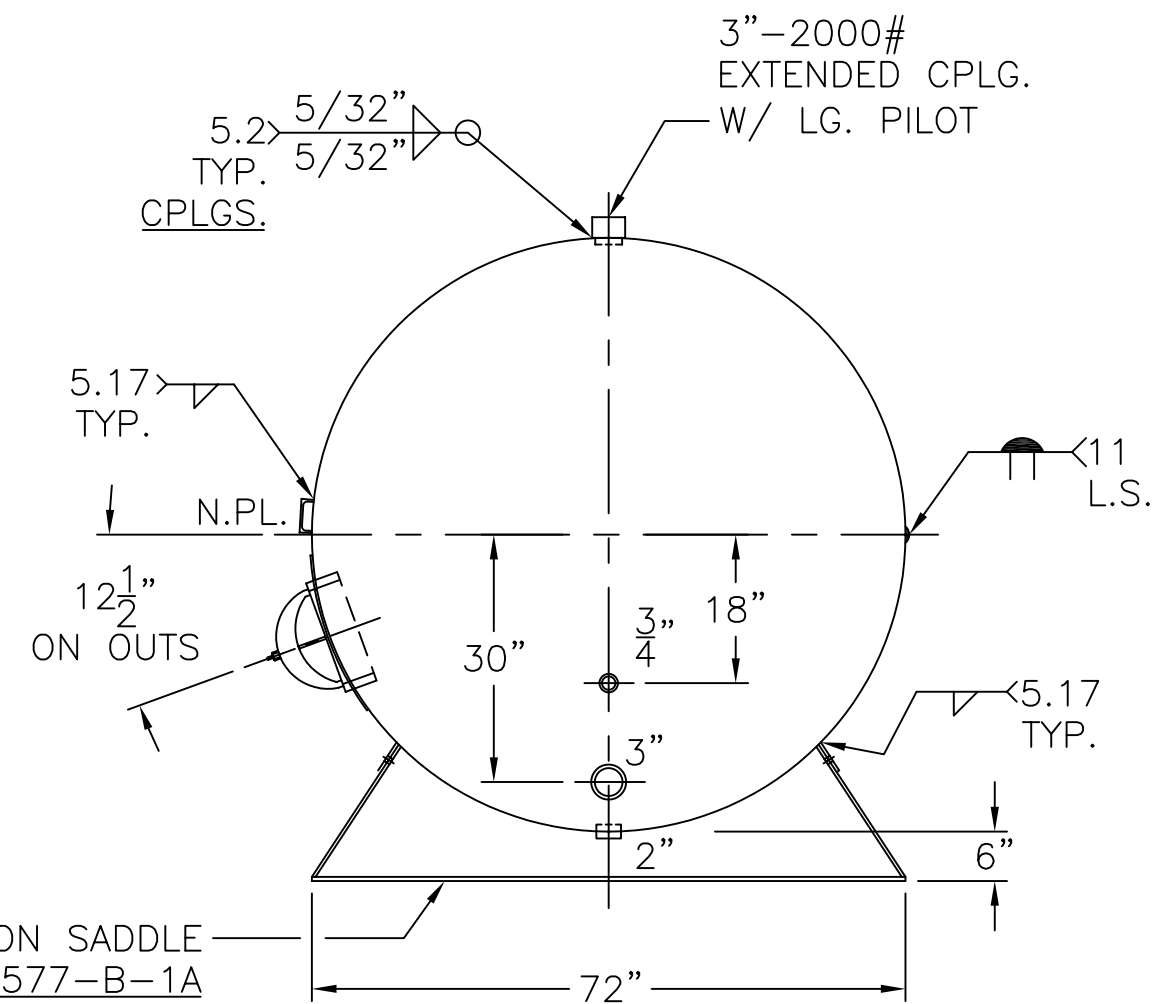


OLD LINE TANK



- 3) EXTEND ALL CPLGS. 5/8" INSIDE.
- 2) HYDRO @ 163 PSIG. MIN.

NOTE: 1) SEAL ALL OPENINGS TO KEEP CEMENT MOIST TO PREVENT CRACKING.

HEADS	.280" SA-455 2:1 S.E.	CS-72-1950-H	REV. 7-23-04
	(.248" MIN.)		DATE: 4-14-03
SHELL	.250" SA-455	FOR: HANSON TANK	
		HORIZ. WATER TANK.	
M.A.W.P. 125 PSIG. @ 210 °F		215.0 SQ. FT. SURFACE AREA.	
M.D.M.T. -20 °F @ 125 PSIG.		THIS TANK IS SHIPPED WITH ALL OPENINGS SEALED. THE CEMENT LINING MUST BE KEPT MOIST BEFORE, DURING, AND AFTER INSTALLATION TO PREVENT CRACKING OF THE CEMENT.	
ASME. SECTION VIII DIV. 1, 2001 ADD 2003		INSIDE: CEMENT LINED (1874)	
X-RAY: RT-4 SPOT L.S. NOT G.S.		OUTSIDE: PRIME	
GALLONS: 1950 WT. 4363 LBS.		CAD "B" SIZE UNDER "STD"-SERIES	
SERIAL NO.		BY: J.G. SCALE: 1/2"=12"	
N.B.		<b>ROY E. HANSON JR. MFG.</b>	
		1924 COMPTON AVE.	
		LOS ANGELES, CA 90011	