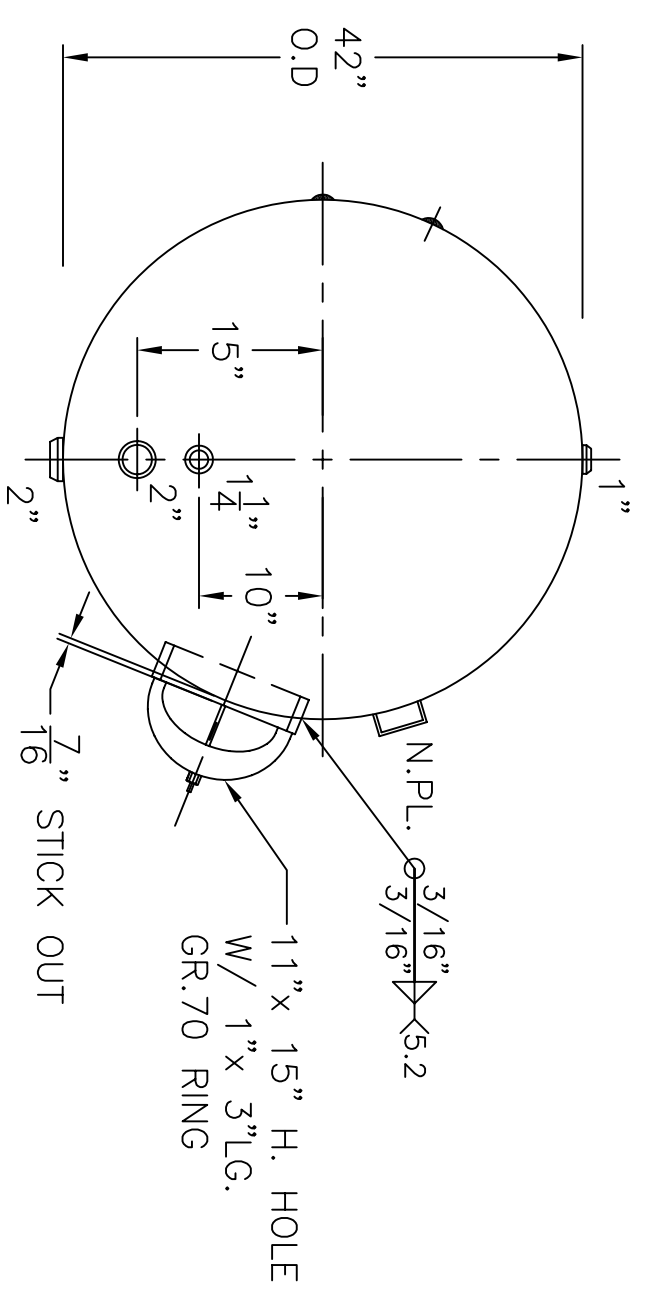
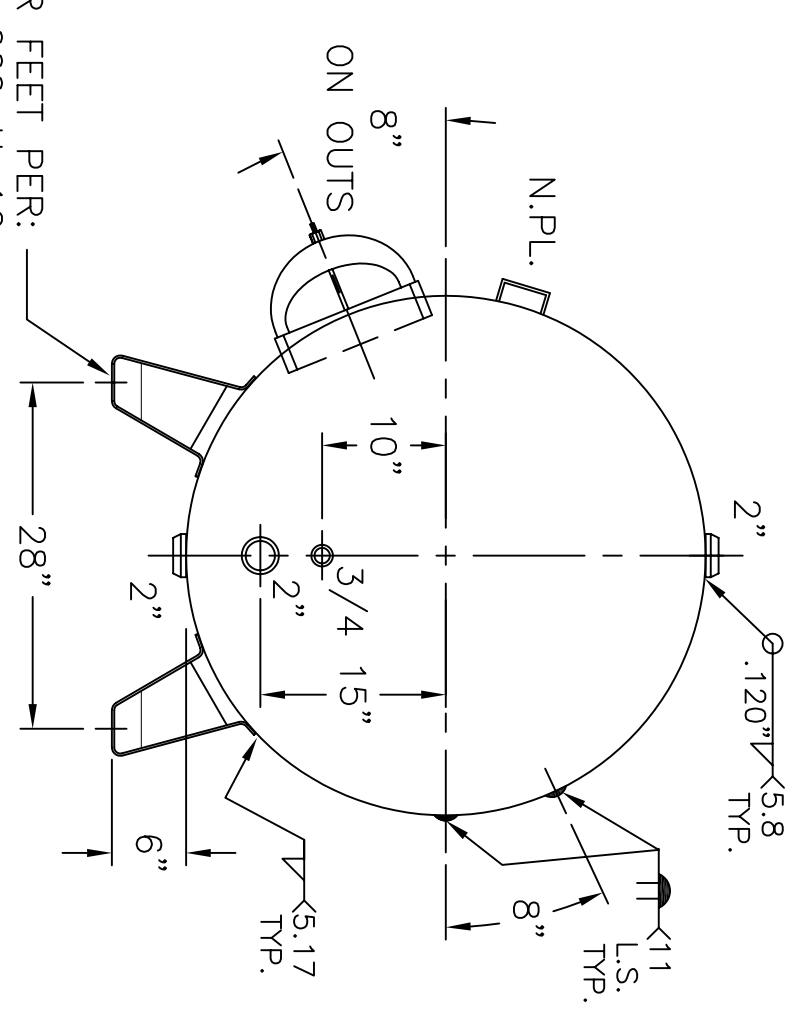


SOLAR FEET PER:
S-42-660-H-1C



VIEW W/O SUPPORTS

NOTE: 1) HYDRO @ 240 PSIG.
2) 3-19-09 PROOF TEST.

HEADS		SHELL	
JOGGLE	.205" SA-455	2:1	S.E.
	.175" SA-414-G		
M.A.W.P.	160	PSIG.	@ 180 °F
ASME SECTION IV 2010 ADD 2010			
X-RAY: RT-NO / H.L.W.			
GALLONS:	600	WT.	983 LBS.
SERIAL NO.			
N.B.			
ES-42-600-H		REV.	6-13-11
FOR: HANSON STANDARD		DATE:	10-2-89
HORIZ. HOT WATER TANK			
SURFACE AREA = 105.4 SQ. FT.			
INSIDE: EPOXY LINED			
OUTSIDE: PRIME			
CAD "B" SIZE UNDER "STD"-SERIES			
BY: E.S.	SCALE: 3/4"=12"		
ROY E. HANSON JR. MFG.			
1600 E. WASHINGTON BLVD.			
LOS ANGELES, CA 90021			