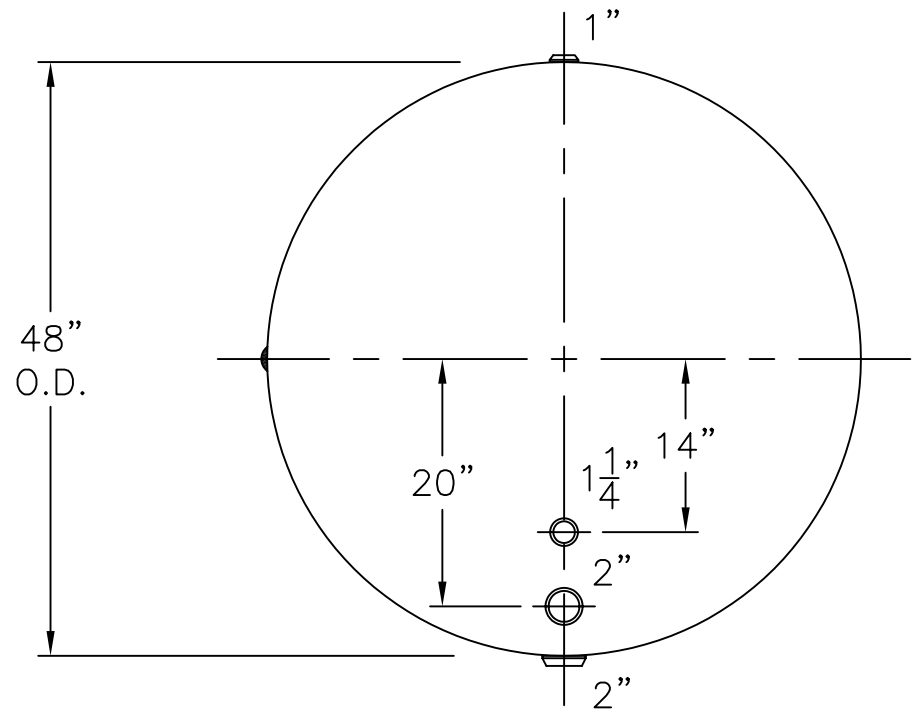


1 1/4"-3000# FULL CPLG.
2"
5.2 TYP. 7/32" 7/32"



END VIEW W/O SUPPORTS

2) SHELL - 4-22-04 PROOF TEST.
NOTE: 1) HYDRO @ 240 PSIG.

HEADS	.245" SA-455 2:1 S.E.	ES-48-900-H	REV. 9-17-04
	(.230"MIN.) JOGGLE		DATE: 10-3-89
SHELL	.200" SA-455	FOR: HANSON STANDARD	
		HORIZ. HOT WATER TANK	
M.A.W.P. 160 PSIG. @ 180 °F		SURFACE AREA = 136.7 SQ. FT.	
ASME SECTION IV 2001 ADD. 2003		INSIDE: EPOXY LINED	
X-RAY: RT-NO/H.L.W.		OUTSIDE: PRIME	
GALLONS: 900 WT. 1368 LBS.		CAD-"B" UNDER "STD"-SERIES	
SERIAL NO.		BY: J.G.	SCALE: 3/4"=12"
		ROY E. HANSON JR. MFG.	
		1924 COMPTON AVE. LOS ANGELES, CA 90011	