

NOTE: 1) SEAL ALL OPENINGS TO KEEP CEMENT MOIST TO PREVENT CRACKING.

2) HYDRO @ 188 PSIG. MIN. TO 197 PSIG. MAX.

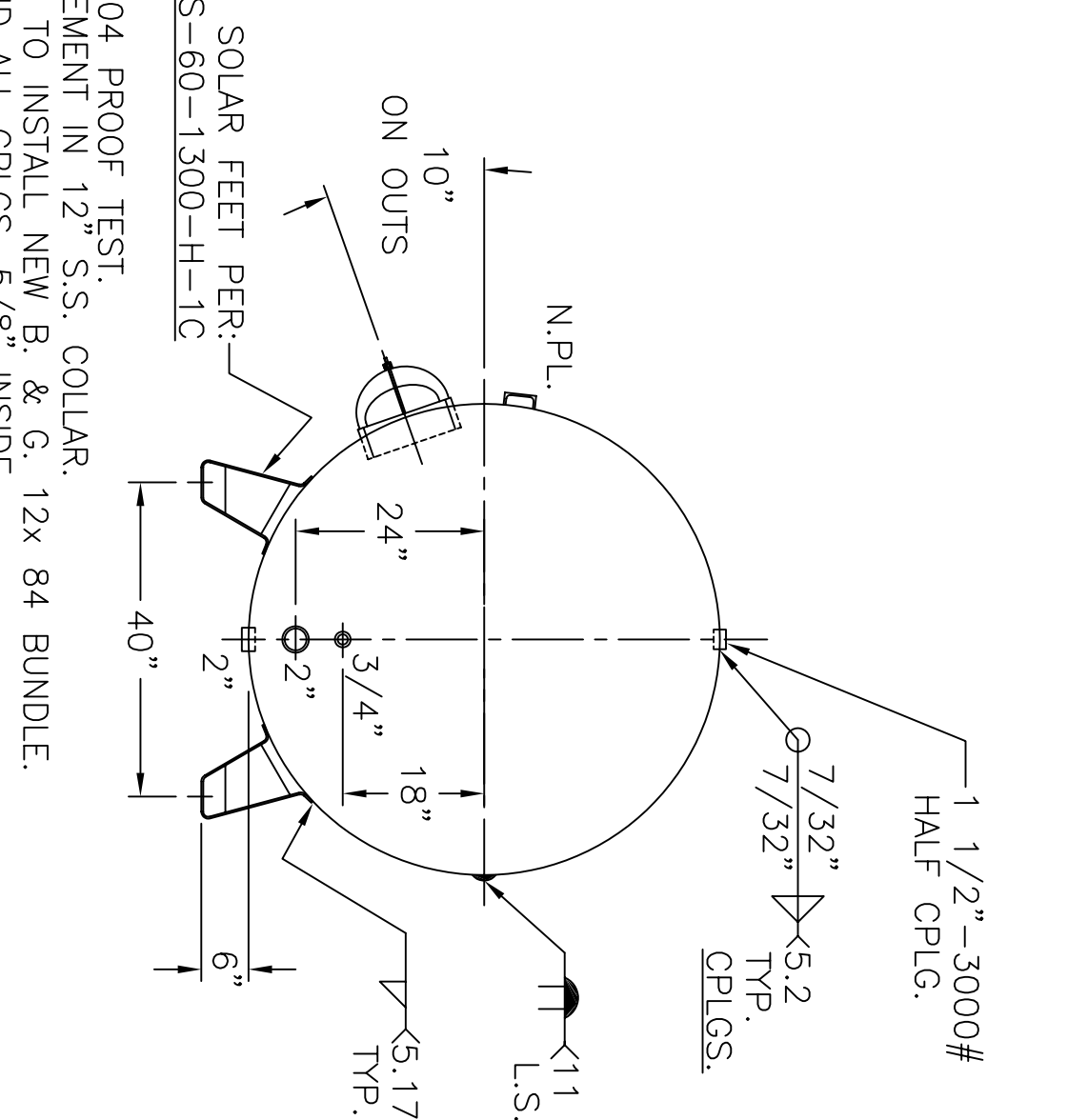
3) EXTEND ALL CPLGS. 5/8" INSIDE.

4) CUST. TO INSTALL NEW B. & G. 12x 84 BUNDLE.

5) NO CEMENT IN 12" S.S. COLLAR.

6) 5-6-04 PROOF TEST.

HEADS	.248" SA-455	2:1 S.E.
SHELL	(.219" MIN.)	
	.218" SA-455	
M.A.W.P.	125	PSIG. @ 210 °F
ASME SECTION	IV	2001 ADD 2003
X-RAY:	RT-NO / H.L.W.	
GALLONS:	1400	WT. 3440 LBS.
SERIAL NO.		
N.B.		



FOR: -

HORIZ. HOT WATER TANK.

183.7 SQ. FT. SURFACE AREA.

THIS TANK IS SHIPPED WITH ALL OPENINGS SEALED. THE CEMENT LINING MUST BE KEPT MOIST BEFORE, DURING, AND AFTER INSTALLATION TO PREVENT CRACKING OF THE CEMENT.

INSIDE: CEMENT LINED

OUTSIDE: PRIME

BY: J.G./B.C.	SCALE: 1/2"=12"
ROY E. HANSON JR. MFG.	
1924 COMPTON AVE.	
LOS ANGELES, CA 90011	