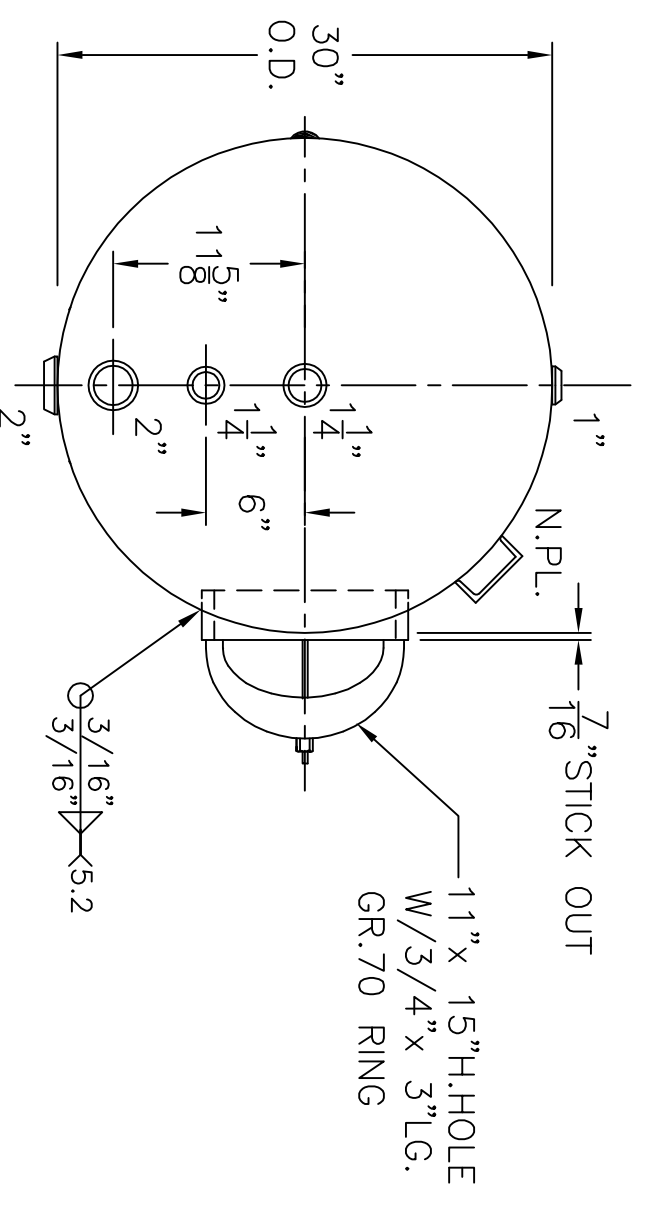


- NOTE: 1) HYDRO @ 240 PSIG.  
 2) 4-1-04 PROOF TEST.  
 3) SHIP LOOSE W/((1) 1 5/16" x 30" LG. RIGID ANODE.



VIEW W/OUT FEETS

HEADS	.166" SA-414-G 2:1 S.E.	GS-30-140-H	REV. 5-8-14
SHELL	.165" SA-414-G	DATE: 5-14-90	
FOR: HANSON STANDARD			
HORIZ. HOT WATER TANK			
SURFACE AREA = 37.1 SQ. FT.			
INSIDE: GLASS LINED			
OUTSIDE: PRIME			
CAD "B"-SIZE UNDER "STD"-SERIES			
BY: J.G.		SCALE: 1"=12"	
<b>ROY E. HANSON JR. MFG.</b>			
1600 E. WASHINGTON BLVD.			
LOS ANGELES, CA 90021			
M.A.W.P.	160 PSIG. @ 210 °F		
ASME SECTION IV 2013			
X-RAY: RT-NO / H.L.W.			
GALLONS:	140	WT. 334 LBS.	
SERIAL NO.			
N.B.			