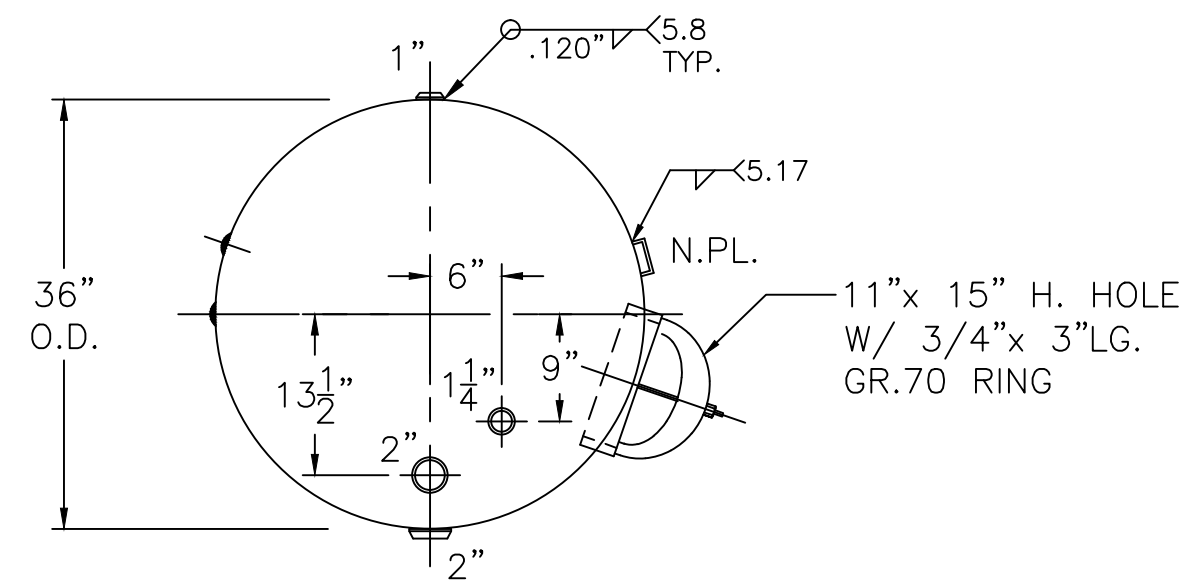


SOLAR FEET PER:
S-36-490-H-1C
NO GUSSETS



VIEW W/O SUPPORTS

3) 4-1-04 PROOF TEST.
2) HYDRO @ 240 PSIG. MIN.
NOTE: 1) INSTALL (2) 1 5/16"x 30" LG. RIGID MAG. ANODES.

SHELL / HEADS	.189" SA-414-G 2:1 S.E.	GS-36-400-H	REV. 8-1-13
	JOGGLE		DATE: 5-15-90
SHELL / HEADS	.164" SA-414-G	FOR: HANSON STANDARD	
		HORIZ. HOT WATER TANK	
		SURFACE AREA = 82.2 SQ. FT.	
		INSIDE: GLASS LINED	
	M.A.W.P. 160 PSIG. @ 210 °F	OUTSIDE: PRIME	
	ASME SECTION IV 2010 ADD. 2011	CAD-"B" UNDER "STD"-SERIES	
	X-RAY: RT-NO / H.L.W.	BY: E.S.	SCALE: 3/4"=12"
	GALLONS: 400 WT. 703 LBS.	ROY E. HANSON JR. MFG.	
	SERIAL NO.	1600 E. WASHINGTON BLVD. LOS ANGELES, CA 90021	