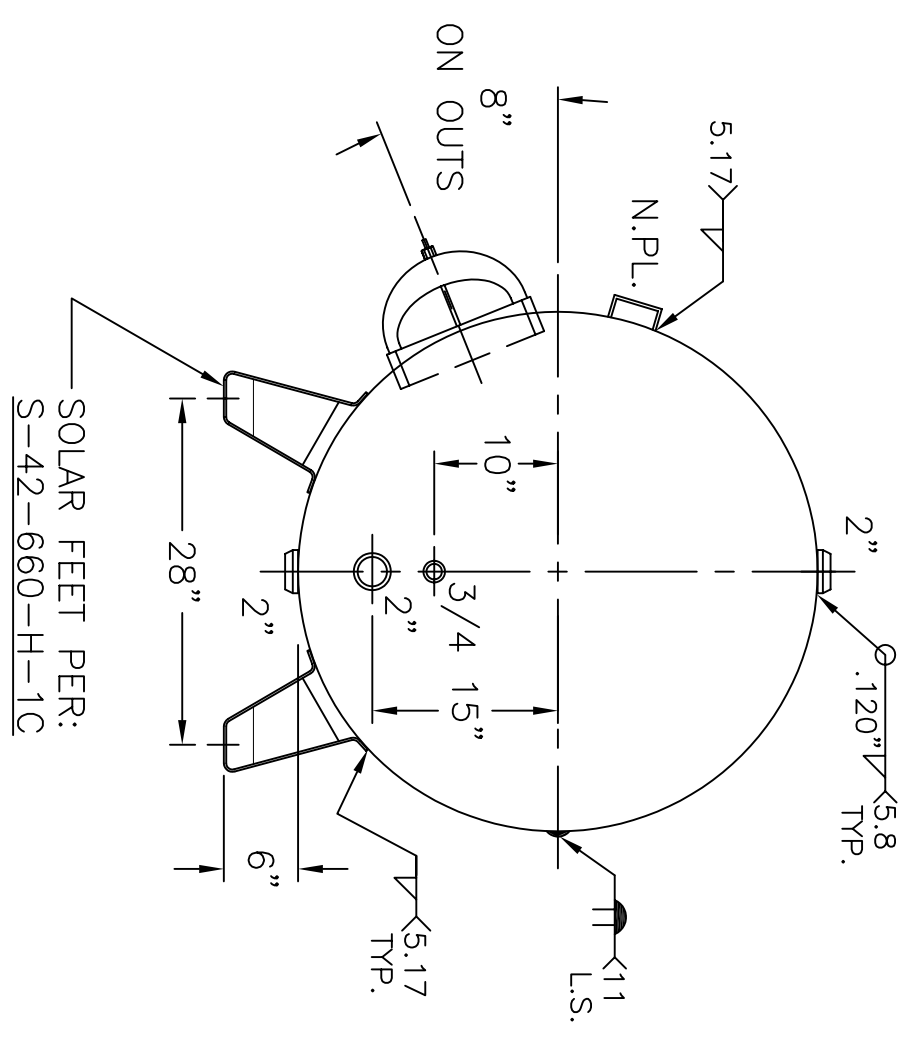
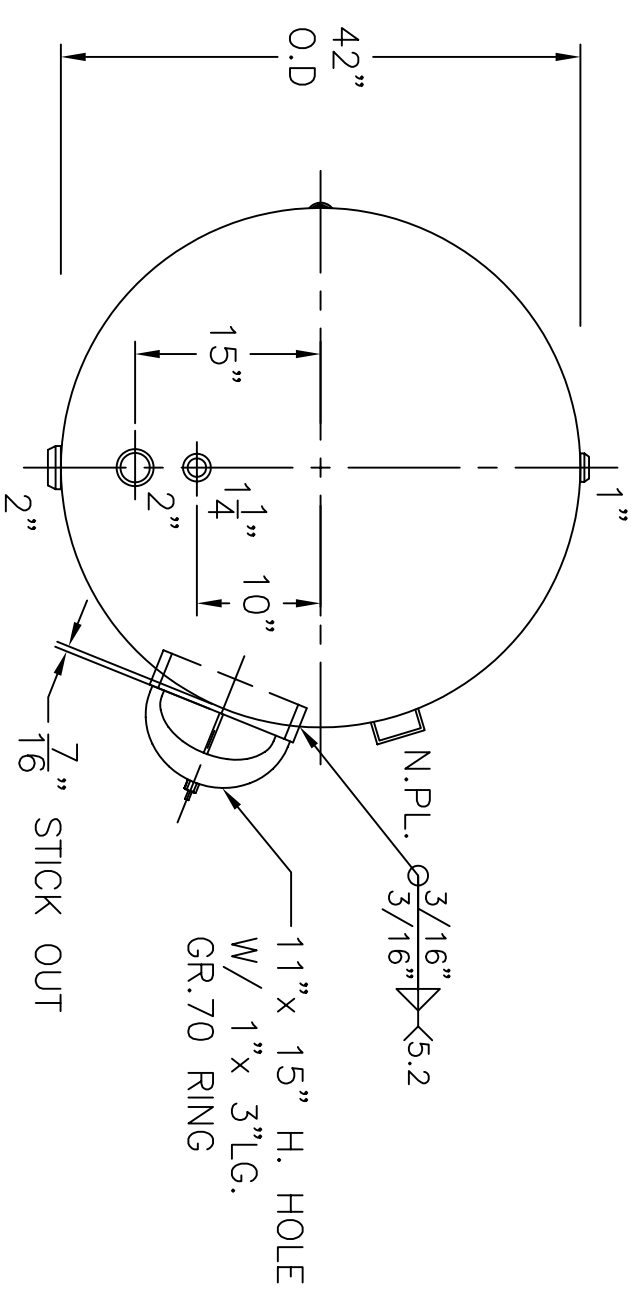
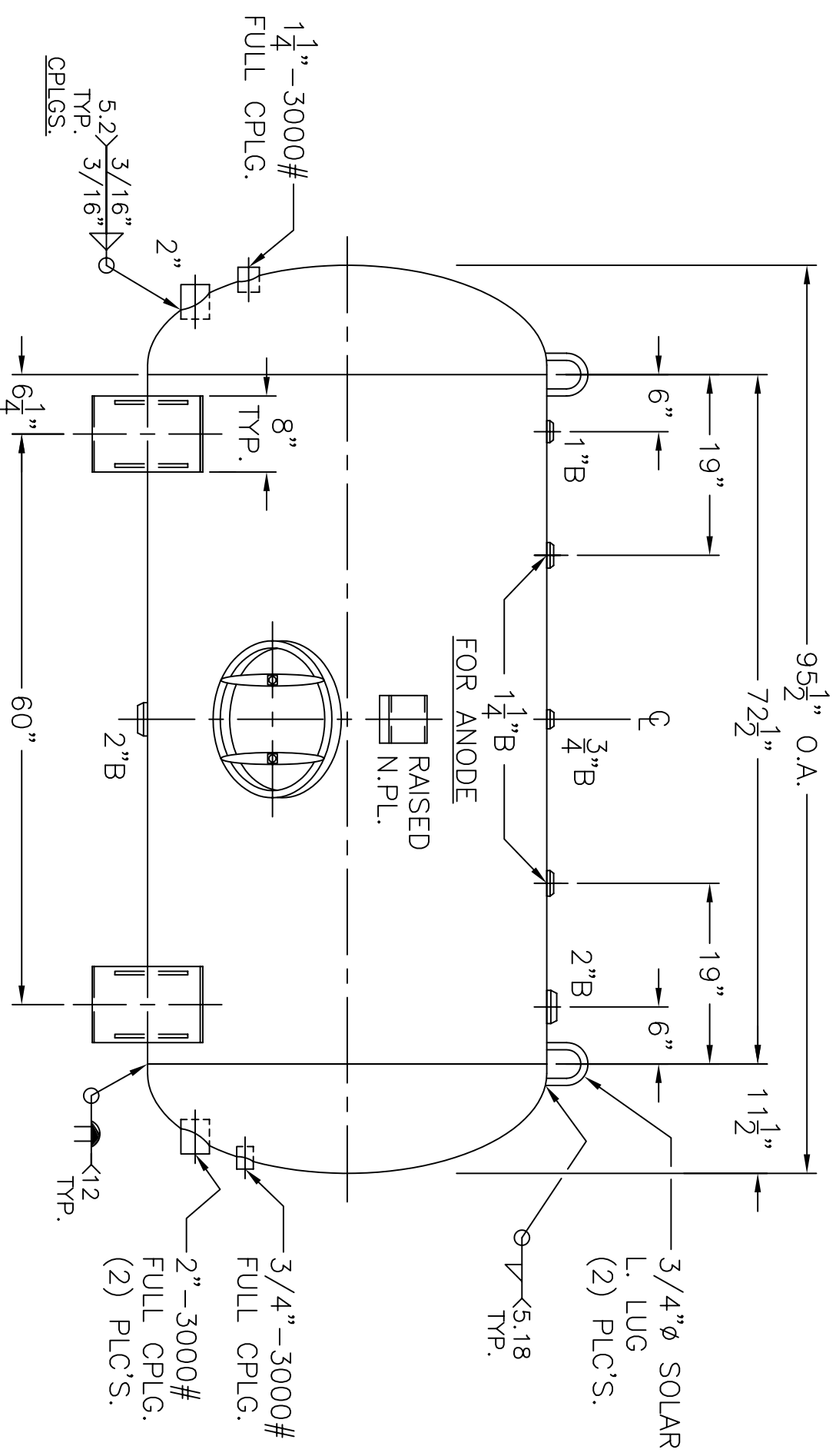


DATE	BY
1-13-12	SE



NOTE: 1) HYDRO @ 240 PSIG. MIN.
 2) INSTALL (2) 1 5/16" x 30" LG. RIGID MAG. ANODES.
 3) 3-19-09 PROOF TEST.

S	.205" SA-455	2:1	S.E.	GS-42-534-H	REV. 1-13-12
HEADS	JOGGLE			DATE: 5-15-90	
SHELL	.175" SA-414-G			FOR: HANSON STANDARD	
				HORIZ. HOT WATER TANK	
				SURFACE AREA = 94.1 SQ. FT.	
M.A.W.P.	160	PSIG.	@ 210 °F	INSIDE: GLASS LINED	
				OUTSIDE: PRIME	
				CAD "B" SIZE UNDER "STD"-SERIES	
ASME. SECTION	IV	2010	ADD 2011	BY: E.S.	SCALE: 3/4"=12"
X-RAY:	RT-NO	/	H.L.W.		
GALLONS:	534	WT.	885 LBS.		
SERIAL NO.					
N.B.					

VIEW W/O SUPPORTS

ROY E. HANSON JR. MFG.
 1600 E. WASHINGTON BLVD.
 LOS ANGELES, CA 90021