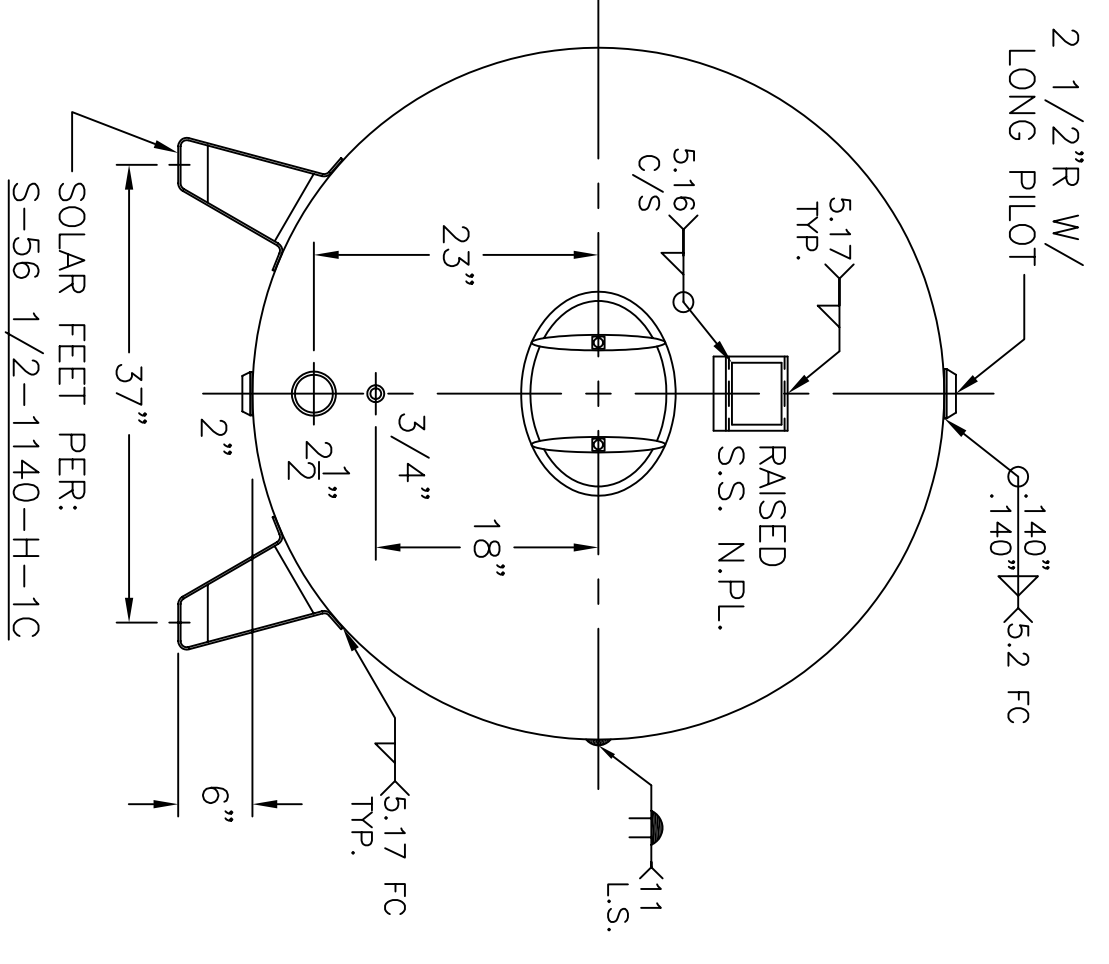


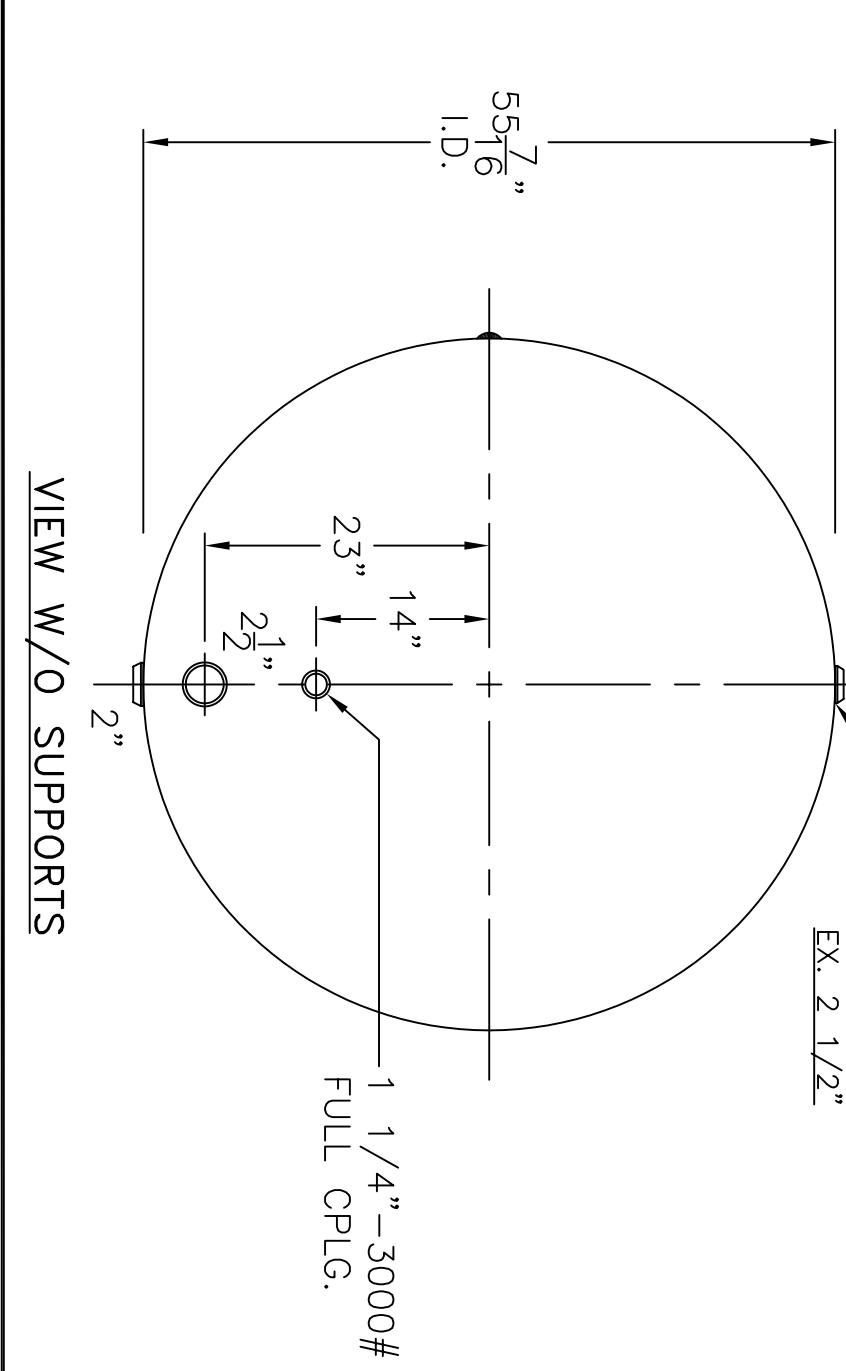
3/4" ϕ SOLAR L. LUG
(2) PLC'S.
 ϕ 5.18 FC TYP.
9" STICK OUT
11" x 15" H. HOLE W/ 1" x 3" LG. GR.70 RING
1/4" ϕ 5.2 FC TYP. CPLGS.
1/4" ϕ 5.2 FC TYP. CPLGS.
2 1/2" ϕ 2000# EXTENDED CPLG. W/ NO PILOT
(2) PLC'S.



2 1/2" R W/ LONG PILOT
 ϕ 1.40" ϕ 5.2 FC
5.17" TYP.
5.16" C/S
RAISED S.S. N.P.L.
5.17" FC TYP.
SOLAR FEET PER: S-56 1/2-1140-H-1C

NOTE: 1) 2) HYDRO @ 188 PSIG. MIN. TO 197 PSIG. MAX.
3) SHIP LOOSE W/ (3) 1 5/16" x 48" LG. FLEX. MAG. ANODES.

SHELL / HEADS		REV. 2-12-14	
LEFT-.252" SA-455	2:1 S.E.	GS-56-1225-H	DATE: 5-21-90
(.186" MIN.)		FOR: HANSON STANDARD	
RIGHT-.252" SA-455	2:1 S.E.	HORIZ. HOT WATER TANK	
(.206" MIN.)		SURFACE AREA = 165.1 SQ. FT.	
.218" SA-455		INSIDE: GLASS LINED	
M.A.W.P. 125	PSIG. @ 210 °F	OUTSIDE: S. BLAST & PRIME	
ASME SECTION IV	2013	CAD-"B" UNDER "STD"-SERIES	
X-RAY: RT-NO / H.L.W.		BY: E.S.	SCALE: 3/4"=12"
GALLONS: 1225	WT. 1750 LBS.	ROY E. HANSON JR. MFG.	1600 E. WASHINGTON BLVD.
SERIAL NO.			LOS ANGELES, CA 90021
N.B.			



VIEW W/O SUPPORTS