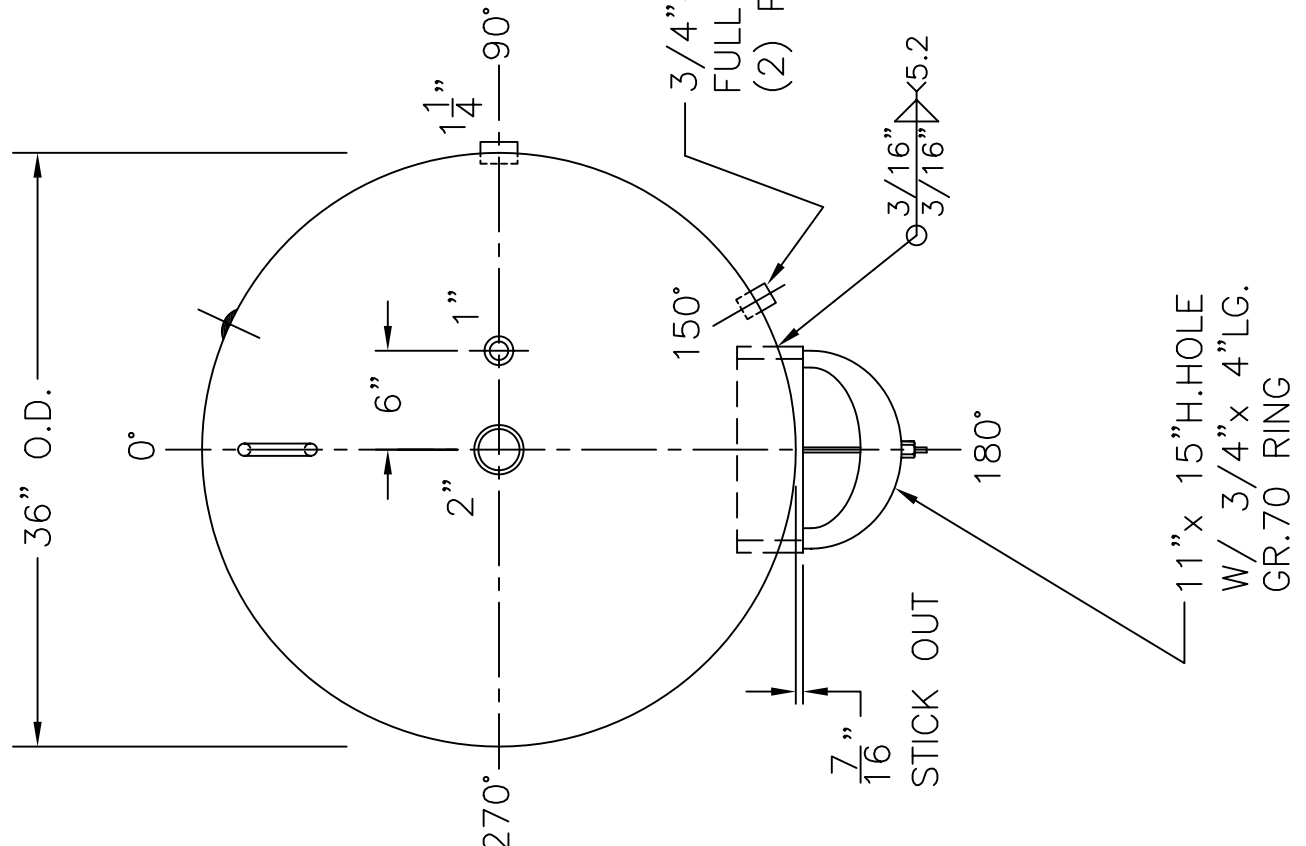


- 2"-3000# HALF CPLG. (3) PLC'S.
- 1/2" Ø L.LUG (1) PLC.
- 5.18 TYP.
- 1"-3000# FULL CPLG.
- 3/16" Ø 5.2 TYP. CPLGS.
- 3 1/2" TYP.
- 84" O.A.
- 60"
- 150°
- RAISED N.P.L.
- 1 1/4" - 3000# HALF CPLG. (2) PLC'S.
- 3 3/4"
- 15"
- 10"
- 2"
- 5"
- 12"
- 4"
- 1 1/4"
- 6"
- (3) 3"x 3"x 1/4" THK. x 21 5/8" LG. ANGLE LEG
- (3) 4"x 4"x 3/8" THK. PAD W/ 3/4" Ø HOLE FOR 1/2" Ø x 6" LG. BOLTS GRADE 5 OR BETTER
- 187/8" @ 60° TYP.
- 2"
- 3/4"
- 1 1/4"
- 9 7/16" @ 30° TYP.
- 6"
- 11" L.S.

NOTE: 1) SEAL ALL OPENINGS TO KEEP CEMENT MOIST TO PREVENT CRACKING.  
 2) EXTEND ALL CPLGS. 5/8" INSIDE.  
 3) HYDRO @ 240 PSIG. MIN.  
 4) 4-1-04 PROOF TEST.



HEADS	.182" SA-455 2:1 S.E.	CS-36-335-V	REV. 1-17-07
	JOGGLE - .149 OFFSET		DATE: 12-3-99
SHELL	.164" SA-414-G	FOR: HANSON STANDARD VERT. HOT WATER TANK	
	M.A.W.P. 160 PSIG. @ 210 °F	70.6 SQ. FT. SURFACE AREA. THIS TANK IS SHIPPED WITH ALL OPENINGS SEALED. THE CEMENT LINING MUST BE KEPT MOIST BEFORE, DURING, AND AFTER INSTALLATION TO PREVENT CRACKING OF THE CEMENT.	
ASME. SECTION IV 2004 ADD 2006		INSIDE: CEMENT LINED	
X-RAY: RT-NO/H.L.W.		OUTSIDE: PRIME	
GALLONS: 335	WT. 1098 LBS.	(318) LEG-ZONE 4-15 KM.	
SERIAL NO.		CAD-"B" UNDER "STD"-SERIES	
N.B.		BY: J.G.	SCALE: 1"=12"
		<b>ROY E. HANSON JR. MFG.</b>	
		1600 E. WASHINGTON BLVD. LOS ANGELES, CA 90021	