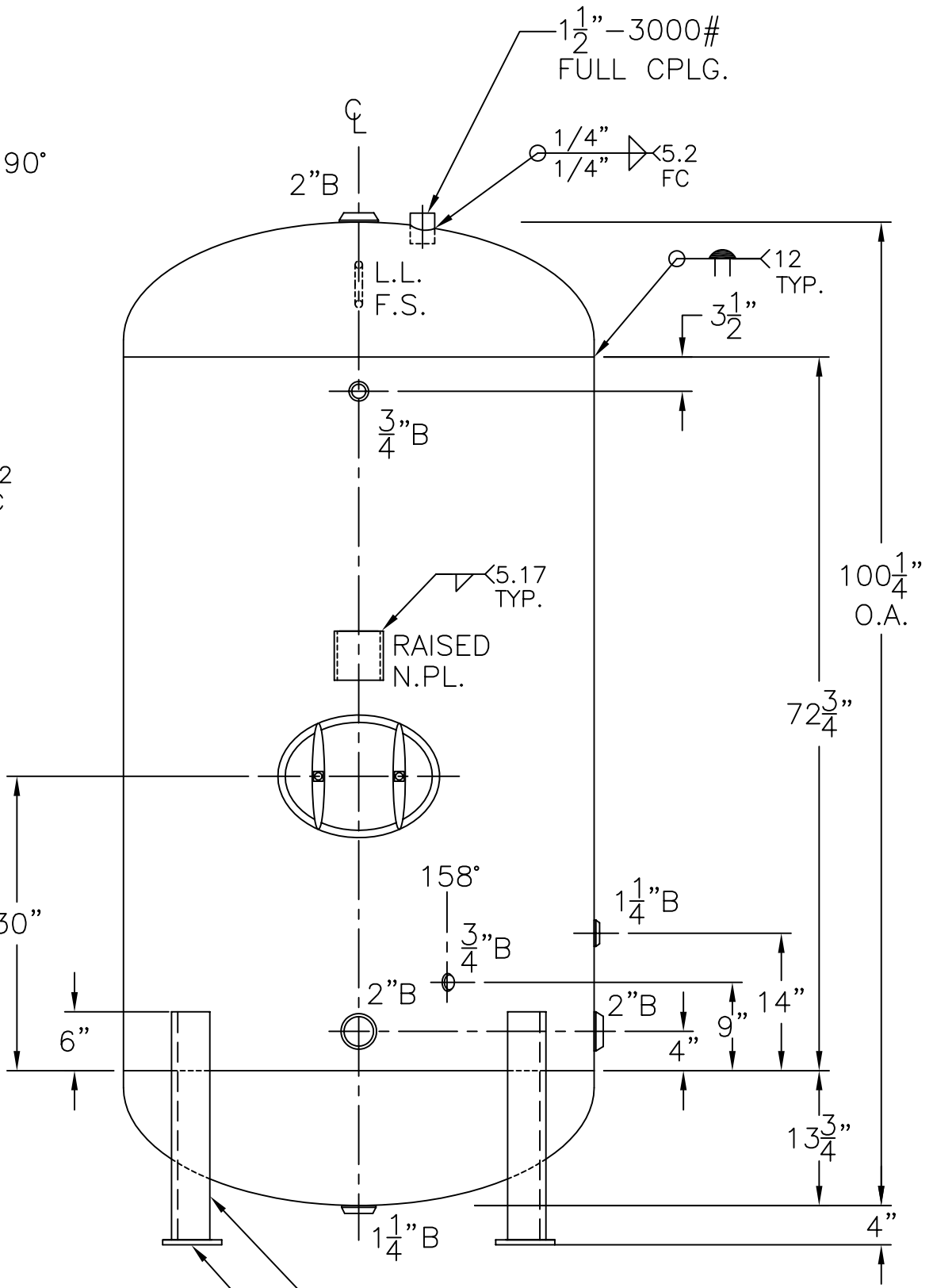
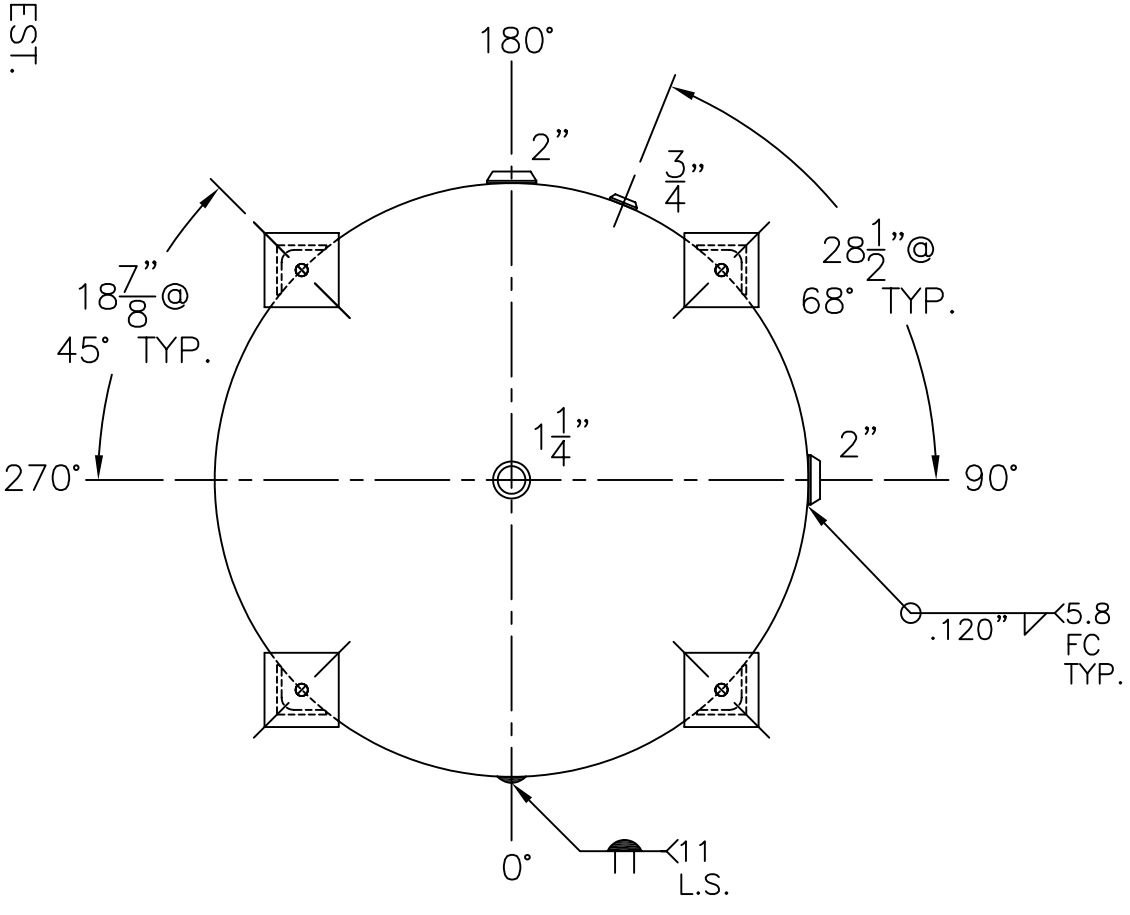


11"x 15" H.HOLE
W/ 3/4"x 3" LG.
GR.70 RING



- (4) 4"x 4"x 1/4" THK. x 23 1/4" LG. ANGLE LEGS
- (4) 6"x 6"x 1/2" THK. PAD W/ 7/8" Ø HOLE FOR 5/8" Ø x 8" LG. BOLTS GRADE 5 OR BETTER 6" EMBEDMENT



NOTE: 1) 4-22-04 PROOF TEST.
2) HYDRO @ 240 PSIG.

SHELL / HEADS		
JOGGLE	.245" SA-455	2:1 S.E.
	.200" SA-455	
M.A.W.P.	160 PSIG.	@ 180 °F
ASME SECTION	IV	2010 ADD. 2010
X-RAY:	RT-NO / H.L.W.	
GALLONS:	712	WT. 1162 LBS.
SERIAL NO.		
N.B.		
	OUTSIDE: PRIME	
	LEG-ZONE 4-15 KM.	
	CAD-"B" UNDER "STD"-SERIES	
	BY: J.G.	SCALE: 3/4"=12"
ROY E. HANSON JR. MFG.		
1600 E. WASHINGTON BLVD. LOS ANGELES, CA 90021		
	ES-48-712-V	REV. 7-14-11
	FOR: HANSON STANDARD	DATE: 3-10-03
	VERT. WATER TANK.	
	SURFACE AREA = 113 SQ. FT.	
	INSIDE: EPOXY LINED	