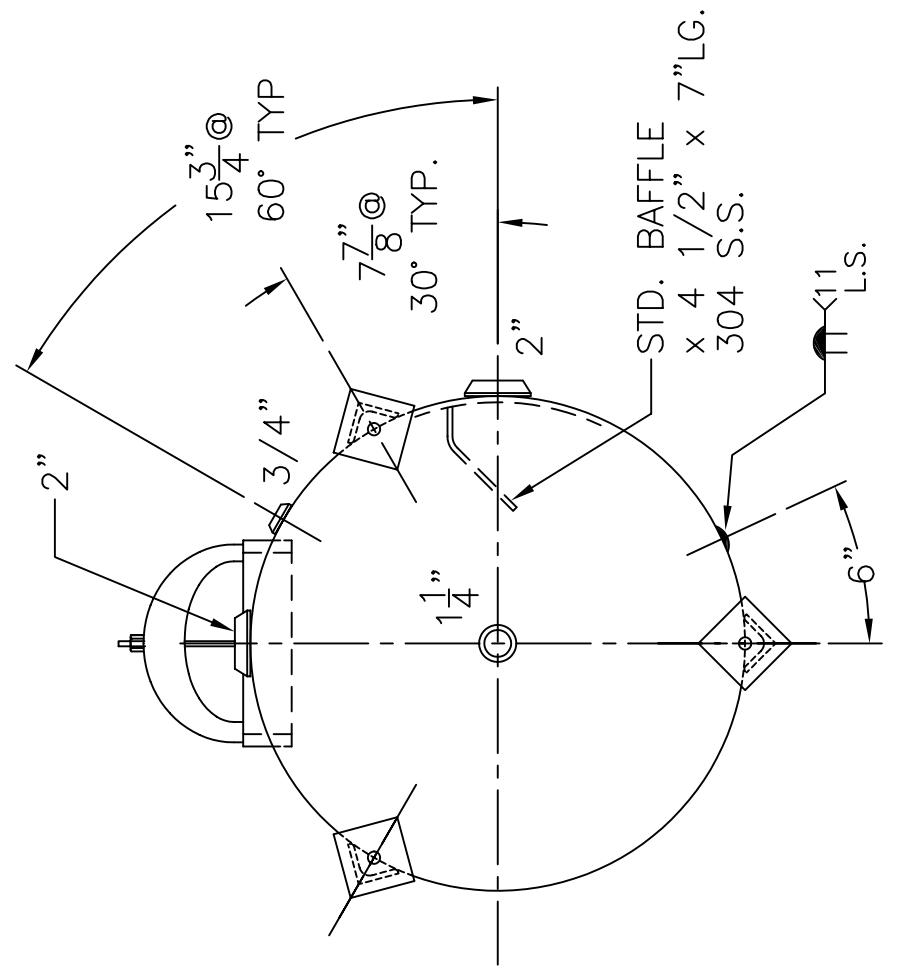


(3) 2 1/2" x 2 1/2" x 3/16" THK. x 20 3/16" LG. ANGLE LEGS

(3) 4" x 4" x 1/4" THK. PAD W/ 3/4" ϕ HOLE FOR 1/2" ϕ x 6" LG. BOLTS GRADE 5 OR BETTER



NOTE: 1) SHIP LOOSE W/(1) 1 5/16" x 36" LG. FLEX MAG. ANODE.
 2) 4/1/04 PROOF TEST.
 3) HYDRO @ 240 PSIG.

HEADS	.166" SA-414-G 2:1 S.E.	GS-30-180-V	REV. 1-11-07
	JOGGLE - .179 OFFSET		DATE: 5-29-90
SHELL	.165" SA-414-G	FOR: HANSON STANDARD VERT. WATER TANK	
	M.A.W.P. 160 PSIG. @ 210 °F	SURFACE AREA = 44.4 SQ. FT.	
ASME. SECTION IV 2004 ADD 2006		INSIDE: GLASS OR EPOXY	
X-RAY: RT-NO / H.L.W.		OUTSIDE: PRIME	
GALLONS: 180 WT. 404 LBS.		LEG-ZONE 4-15 KM.	
SERIAL NO.		BY: J.G. SCALE: 1" = 12"	
N.B.		ROY E. HANSON JR. MFG.	
		1600 E. WASHINGTON BLVD. LOS ANGELES, CA 90021	