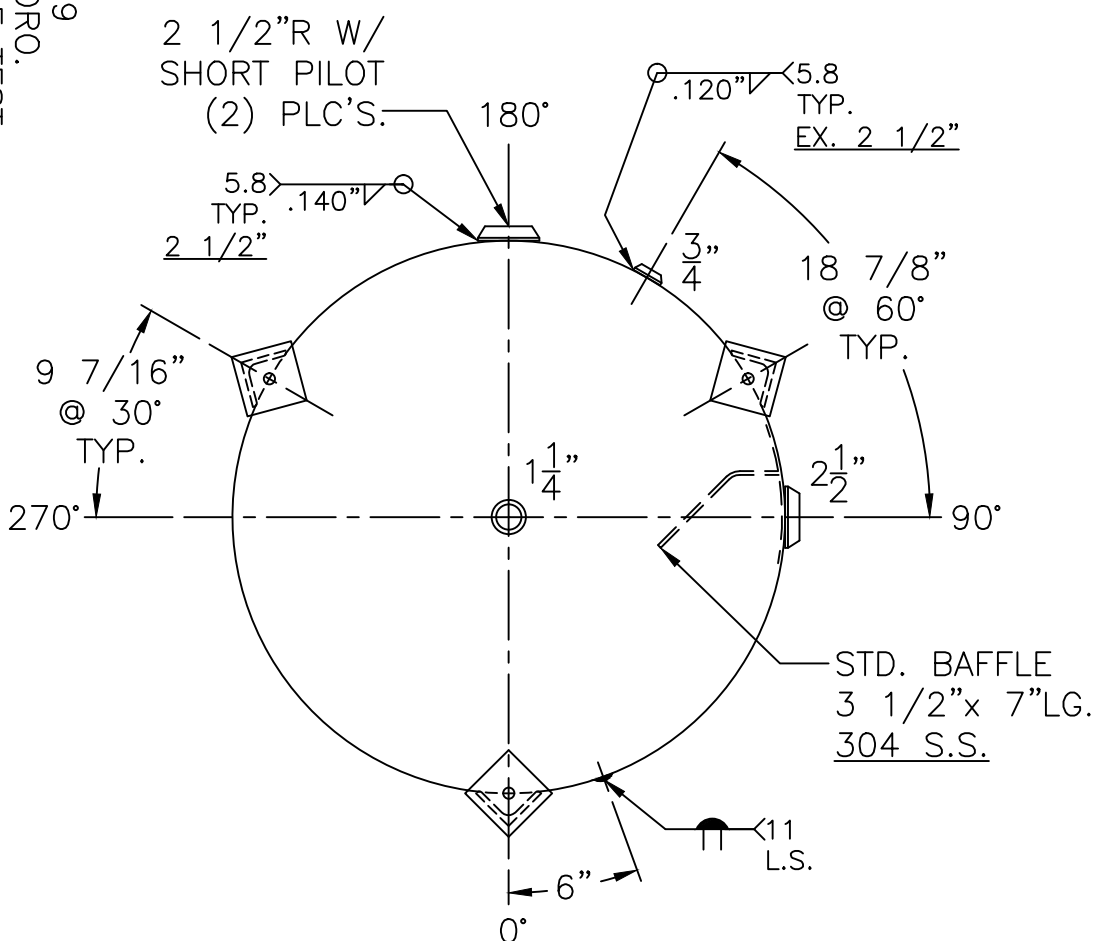


(3) 3"x 3"x 3/8" THK.  
x 21 15/16" LG. ANGLE LEGS  
(3) 4"x 4"x 7/16" THK.  
PAD W/ 7/8" Ø HOLE



SHELL / HEADS	
M.A.W.P.	160 PSIG. @ 210 °F
ASME SECTION	IV 2015
X-RAY	RT-NO / H.L.W.
GALLONS	335 WT. 677 LBS.
SERIAL NO.	
N.B.	

NOTE: 1) SHIP LOOSE W/ (1) 1 5/16" x 60" LG. FLEX. MAG. ANODE.	
2) 4-1-04 PROOF TEST.	
3) 240 PSIG. HYDRO.	
4) CRN #1624.789	

JOGGLE	.189" SA-414-G 2:1 S.E.
SA-414-G	.166" SA-414-G
FOR: HANSON STANDARD	
VERT. WATER TANK	
SURFACE AREA	= 70.6 SQ. FT.
INSIDE:	GLASS LINED
OUTSIDE:	PRIME
SF:	1.5 LEG-ZONE 4-15 KM.
CAD "B" SIZE UNDER STD. SERIES	
BY: E.S.	SCALE: 1" = 12"
<b>ROY E. HANSON JR. MFG.</b>	
LOS ANGELES, CA 90021	

**GS-36-335-V**

REV: 2-26-16  
DATE: 5-29-90