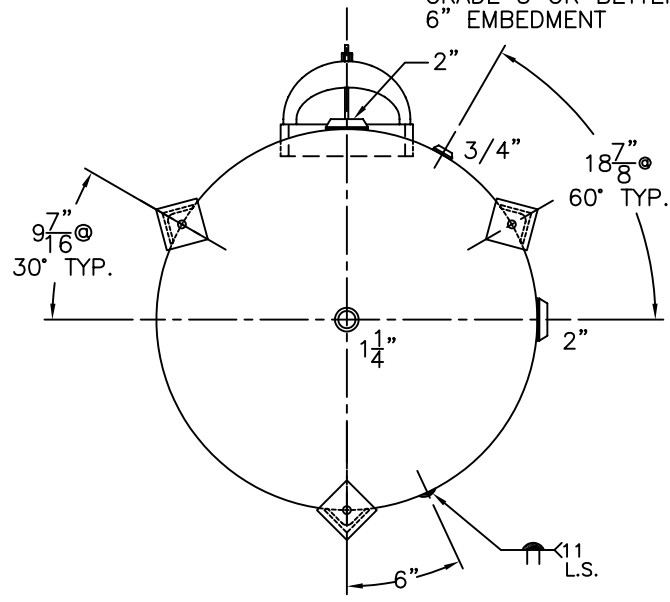


SHELL / HEADS	.182" SA-455	2:1 S.E.
	JOGGLE - .149 OFFSET	
M.A.W.P.	160 PSIG. @	210 °F
ASME SECTION	IV	2007 ADD 2007
X-RAY:	RT-NO / H.L.W.	
GALLONS:	360	WT. 710 LBS.
SERIAL NO.		
N.B.		

NOTE: 1) SHIP LOOSE W/(1) 1 5/16" x 72" LG. FLEX MAG. ANODE.
 2) 4-1-04 PROOF TEST.
 3) 240 PSIG. HYDRO.

(3) 3" x 3" x 1/4" THK. x 21 5/8" LG. ANGLE LEGS
 (3) 4" x 4" x 3/8" THK. PAD W/ 3/4" Ø HOLE FOR 1/2" Ø x 6" LG. BOLTS GRADE 5 OR BETTER 6" EMBEDMENT



INSIDE: GLASS LINED	OUTSIDE: PRIME	CAD "B" SIZE UNDER "STD"-SERIES	LEG ZONE 4-15 KM. DATE: 1-10-03	BY: J.G.	SCALE: 1" = 12"
FOR: HANSON STANDARD	VERT. WATER TANK	SURFACE AREA = 73.8 SQ. FT.	GS-36-360-V	REV: 8-15-08	DATE: 5-29-90
ROY E. HANSON JR. MFG.	1600 E. WASHINGTON BLVD.	LOS ANGELES, CA 90021			