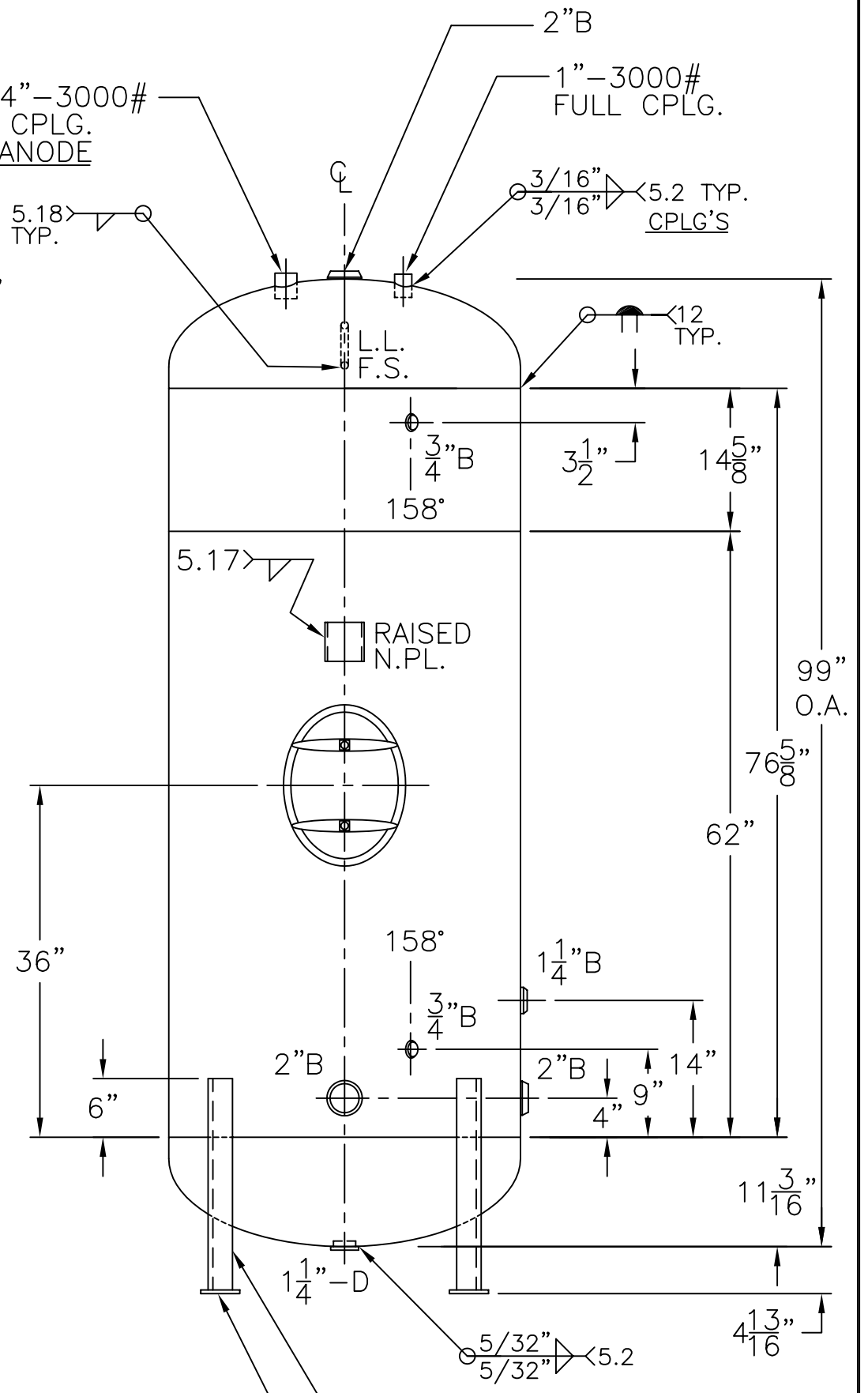


11" x 15" H. HOLE  
W/ 3/4" x 3" LG.  
GR.70 RING

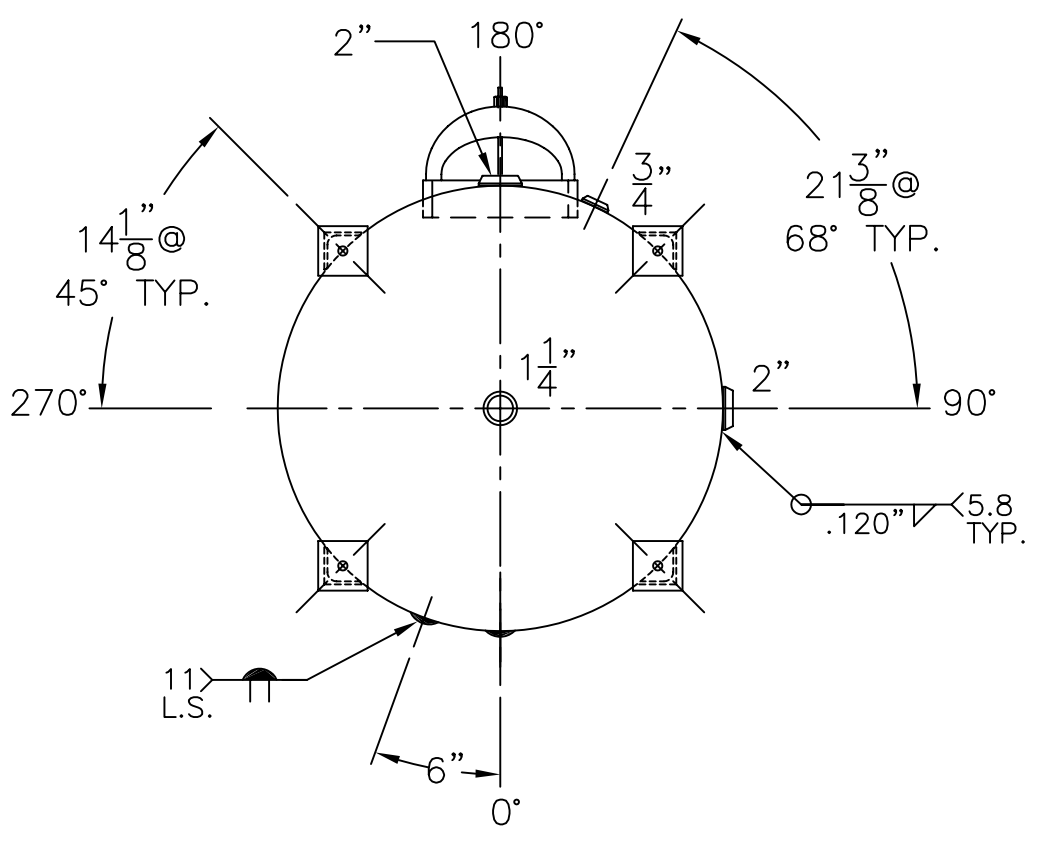
3/4" SOLAR  
L.LUG

1 1/4" - 3000#  
FULL CPLG.  
FOR ANODE



(4) 3" x 3" x 1/4" THK. x  
21 5/8" LG. ANGLE LEGS

(4) 4" x 4" x 3/8" THK.  
PAD W/ 3/4" Ø HOLE



NOTE: 1) SHIP LOOSE W/(1) 1 5/16" x 72" LG. FLEX MAG. ANODE.

2) 4-1-04 PROOF TEST.

3) 240 PSIG. HYDRO.

4) CRN K5231.1

SHELL / HEADS		.182" SA-414-G 2:1 S.E.	
JOGGLE - .149 OFFSET			
.166" SA-414-G			
M.A.W.P.	160 PSIG. @ 210 °F		
ASME SECTION	IV 2010 ADD 2011		
X-RAY:	RT-NO / H.L.W.		
GALLONS:	400 WT. 768 LBS.		
SERIAL NO.			
N.B.			
INSIDE: GLASS LINED		GS-36-400-V	
OUTSIDE: PRIME		REV: 6-22-12	
CAD "B" SIZE UNDER "STD"-SERIES		DATE: 5-29-90	
LEG-ZONE 4-15 KM. DATE: 1-10-03		FOR: HANSON STANDARD	
BY: J.G. SCALE: 3/4"=12"		VERT. WATER TANK	
ROY E. HANSON JR. MFG.		SURFACE AREA = 82.2 SQ. FT.	
1600 E. WASHINGTON BLVD.			
LOS ANGELES, CA 90021			