

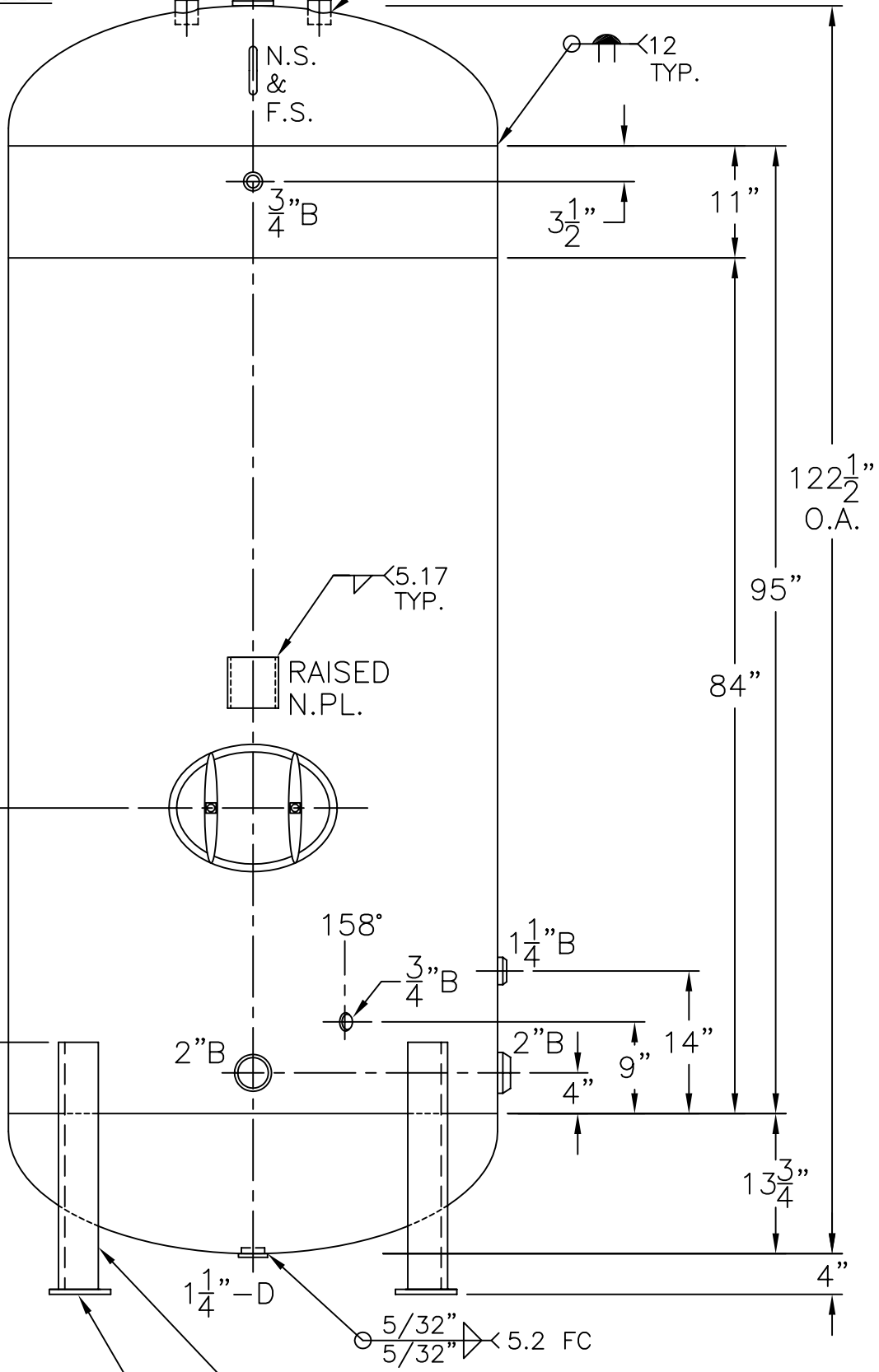
11" x 15" H.HOLE
W/ 3/4" x 3" LG.
GR.70 RING

3/4" ϕ SOLAR
L.LUG
(2) PLC'S

1 1/4"-3000#
FULL CPLG.
FOR ANODE

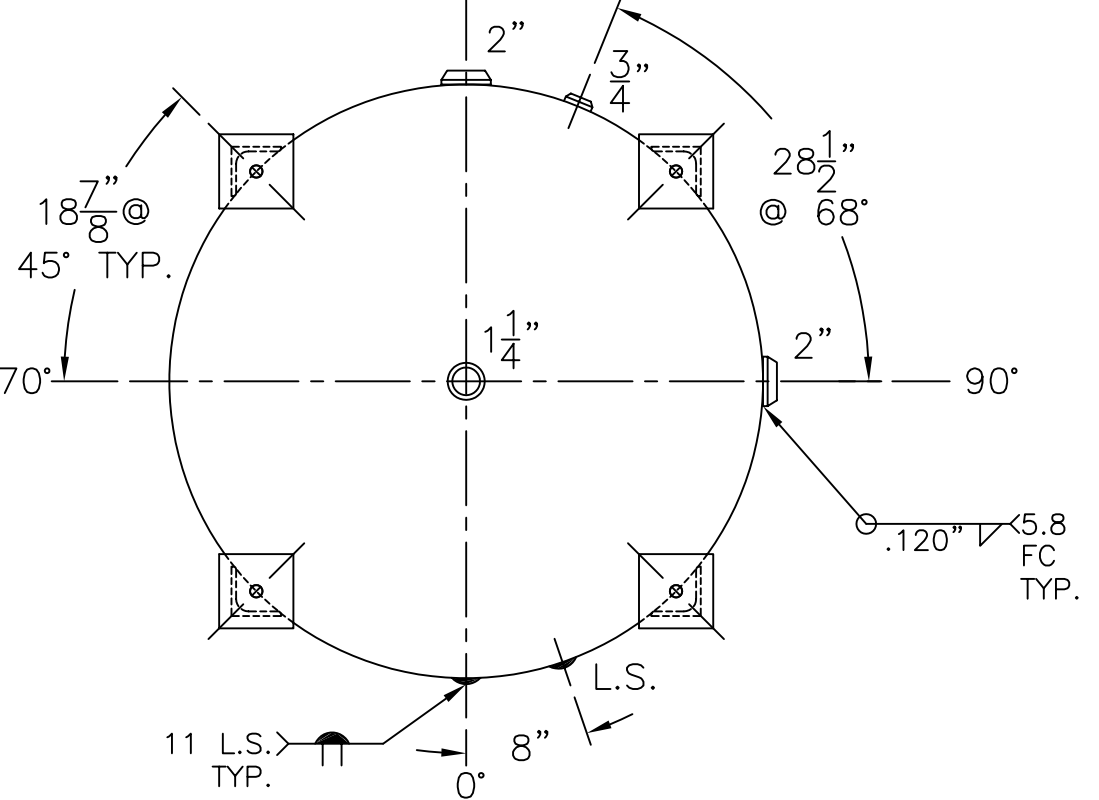
1 1/4"-3000#
FULL CPLG.

1/4" ϕ 5.2 FC.
TYP. CPLG'S



(4) 4" x 4" x 3/8" THK. x
24 1/4" LG. ANGLE LEGS

(4) 6" x 6" x 1/2" THK.
PAD W/ 7/8" ϕ HOLE
FOR 5/8" ϕ x 8" LG. BOLTS
GRADE 5 OR BETTER
6" EMBEDMENT



NOTE: 1) SHIP LOOSE W/(1) 1 5/16" x 120" LG. FLEX. MAG. ANODE.
2) HYDRO @ 240 PSIG.
3) 4-24-04 PROOF TEST.

SHELL / HEADS		.245" SA-455 2:1 S.E.	
JOGGLE			
M.A.W.P. 160 PSIG. @ 210 °F			
ASME SECTION IV 2010 ADD. 2010			
X-RAY: RT-NO / H.L.W.			
GALLONS: 900 WT. 1372 LBS.			
SERIAL NO.			
N.B.			
INSIDE: GLASS LINED		GS-48-900-V	
OUTSIDE: PRIME		REV. 7-13-11	
CAD-"B" UNDER "STD"-SERIES		DATE: 6-13-90	
LEG-ZONE 4-15 KM.		FOR: HANSON STANDARD	
BY: J.G.		VERT. HOT WATER TANK.	
SCALE: 3/4"=12"		SURFACE AREA = 136.7 SQ. FT.	
ROY E. HANSON JR. MFG.		INSIDE: GLASS LINED	
1600 E. WASHINGTON BLVD.		OUTSIDE: PRIME	
LOS ANGELES, CA 90021		CAD-"B" UNDER "STD"-SERIES	
		LEG-ZONE 4-15 KM.	
		BY: J.G.	
		SCALE: 3/4"=12"	
		ROY E. HANSON JR. MFG.	
		1600 E. WASHINGTON BLVD.	
		LOS ANGELES, CA 90021	