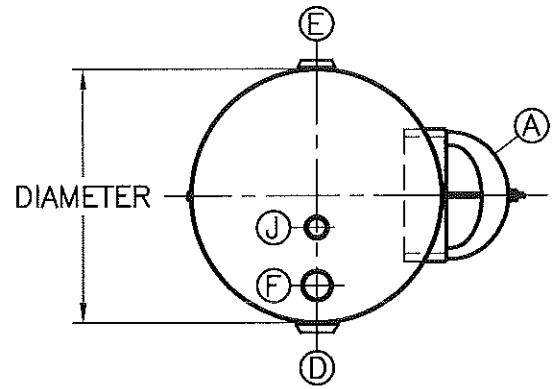


Custom Storage Tank, A.S.M.E. Code

VESSEL CONNECTION SCHEDULE

MK	SIZE	TYPE	SERVICE
A	CODE	OVAL	ENTRY HANDHOLE
B	3/4"	FPT	THERMOMETER
C	3/4"	FPT	AQUASTAT SENSOR
D	1 1/4"	FPT	TANK DRAIN
E		FPT	P & T RELIEF VALVE
F			BOILER RETURN
G			BOILER SUPPLY
H			HOT WATER SUPPLY
J	1 1/4"	FPT	RECIRC. FROM BUILDING



LEFT END VIEW W/O SUPPORTS

Customer
Contact Name
P.O. #
Phone Number
Fax Number
E-mail:
Job

Tank size:
Gallons
Diameter
Length
Working Pressure
(125 psig. is Standard)

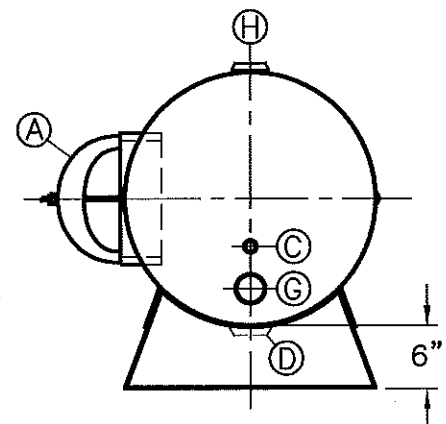
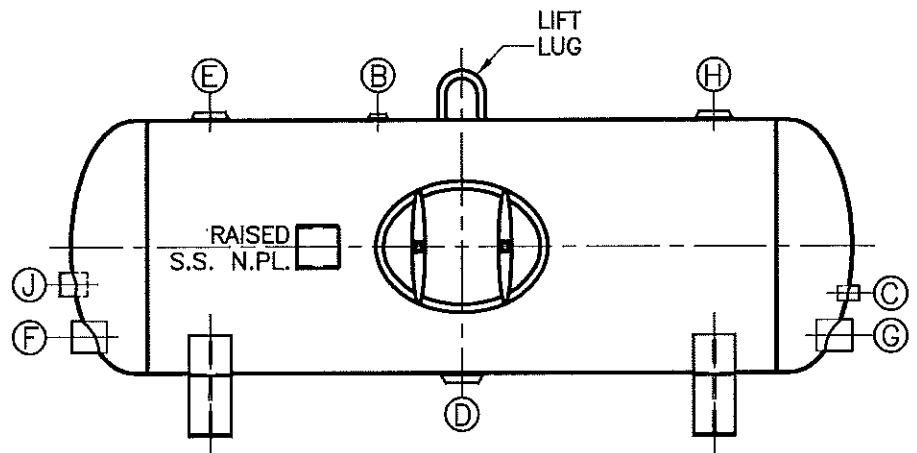
Lining:
Glass with anode(s) (+210°)
Epoxy (+180°)
Cement (+210°)

Insulation:	Increases
Foam/Hardshell (R-16)	4.5" on Dia.
Fiberglass/Metal Jacket (R-8)	4" on Dia.
Fiberglass/Metal Jacket (R-12.5)	6" on Dia.

Notes:

- 1) Handhole can be on either end of tank.
- 2) Support style might vary.

Special Instructions:



RIGHT END VIEW

Roy E. Hanson Jr. Mfg. (800) 421-9395
www.hansontank.us

WP-175-A | DATE: 2-9-17 | REV: