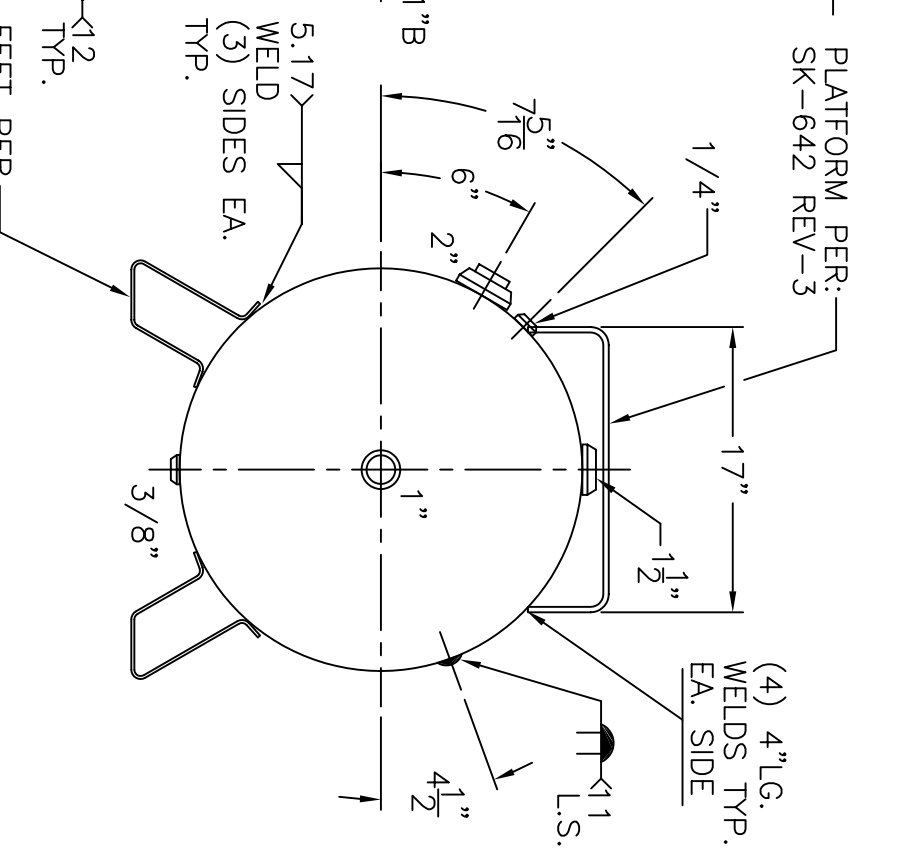
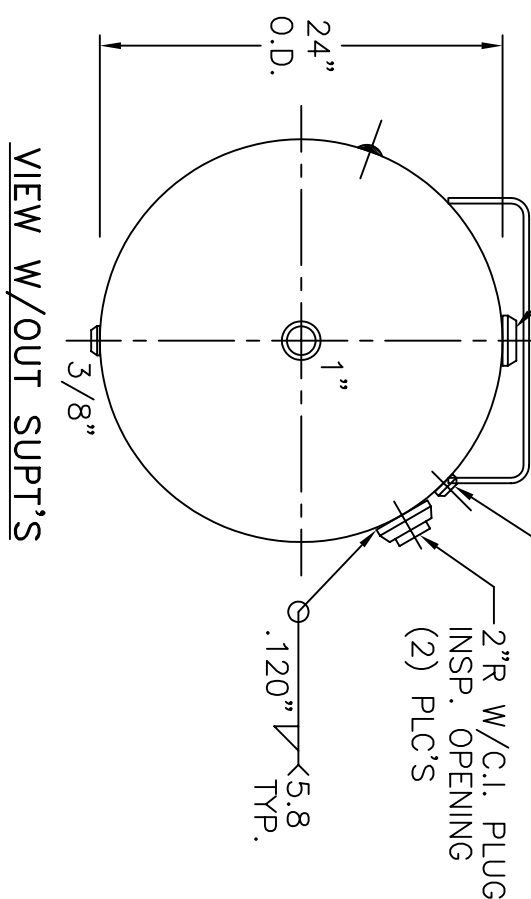


PLATFORM PER:  
SK-642 REV-3



NOTE: 1) HYDRO @ 327 PSIG. MIN.



HEADS		SHELL	
.164" SA-414-G	2:1 S.E.	.200" SA-455	
JOGGLE			
M.A.W.P.	250 PSIG. @ 400 °F		
M.D.M.T.	-20 °F @ 250 PSIG.		
ASME SECTION VIII	DIV. 1, 2004 ADD 2005		
X-RAY:	RT-NO		
GALLONS:	120	WT.	465 LBS.
SERIAL NO.			
N.B.			

<b>HC-120-FP</b>		REV. 1-30-06
FOR: HANSON STANDARD		DATE: 6-28-93
HORIZ. AIR TANK		
INSIDE: UNPAINTED		
OUTSIDE: PRIME		
BY: J.G.	SCALE: 1"=12"	
<b>ROY E. HANSON JR. MFG.</b>		
1924 COMPTON AVE.		
LOS ANGELES, CA 90011		