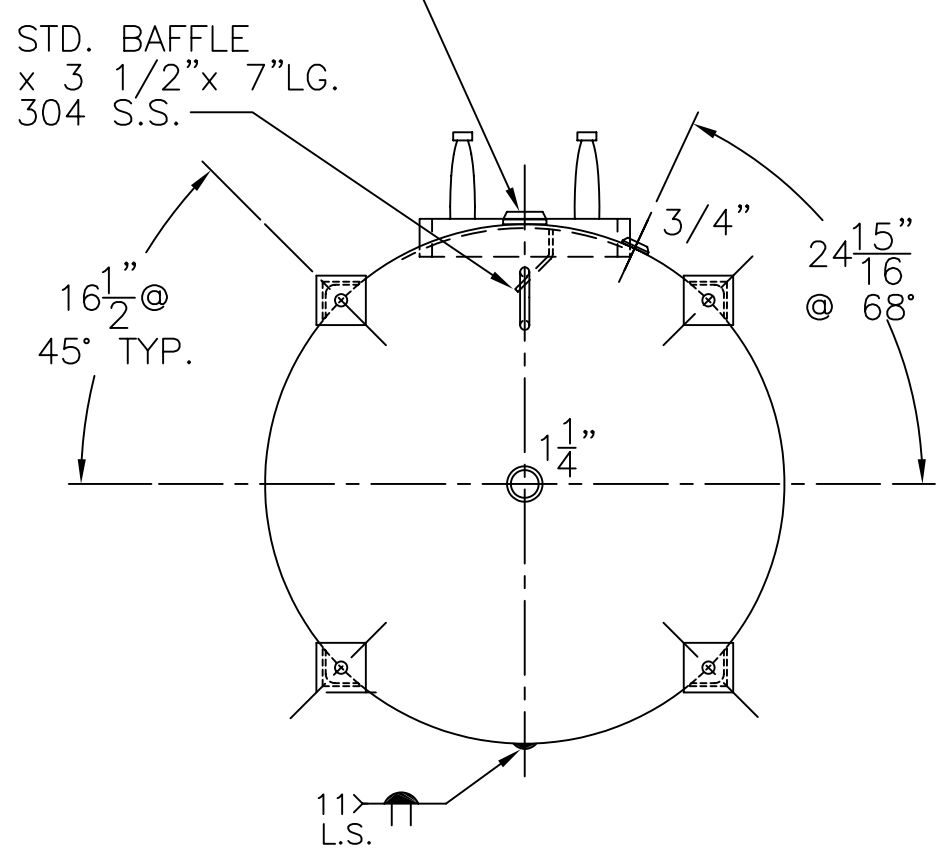


(4) 3" x 3" x 1/4" THK. x 21 13/16" LG. ANGLE LEG

(4) 4" x 4" x 3/8" THK. PAD W/7/8" ϕ HOLE FOR 5/8" ϕ x 8" LG. BOLTS GRADE 5 OR BETTER 6" EMBEDMENT



NOTE: 1) SHIP LOOSE W/(1) 1 5/16" x 84" LG. FLEX. MAG. ANODE.

2) HYDRO @ 188 PSIG. MIN. TO 197 PSIG. MAX.

SHELL / HEADS		.205" SA-414-F 2:1 S.E.	
JOGGLE - .199 OFFSET			
.175" SA-414-G			
M.A.W.P.	125 PSIG. @ 210 °F		
ASME SECTION	IV 2007 ADD 2009		
X-RAY:	RT-NO / H.L.W.		
GALLONS:	480 WT. 920 LBS.		
SERIAL NO.			
N.B.			
FOR: -		WM-948-B	
VERT. HOT WATER TANK		REV. 6-8-10	
SURFACE AREA = 88.5 SQ. FT.		DATE: 5-4-10	
INSIDE: GLASS LINED			
OUTSIDE: S. BLAST, PRIME			
LEG-ZONE 4-5 KM.			
BY: J.G./C.J.		SCALE: 3/4" = 12"	
ROY E. HANSON JR. MFG.			
1600 E. WASHINGTON BLVD.			
LOS ANGELES, CA 90021			