

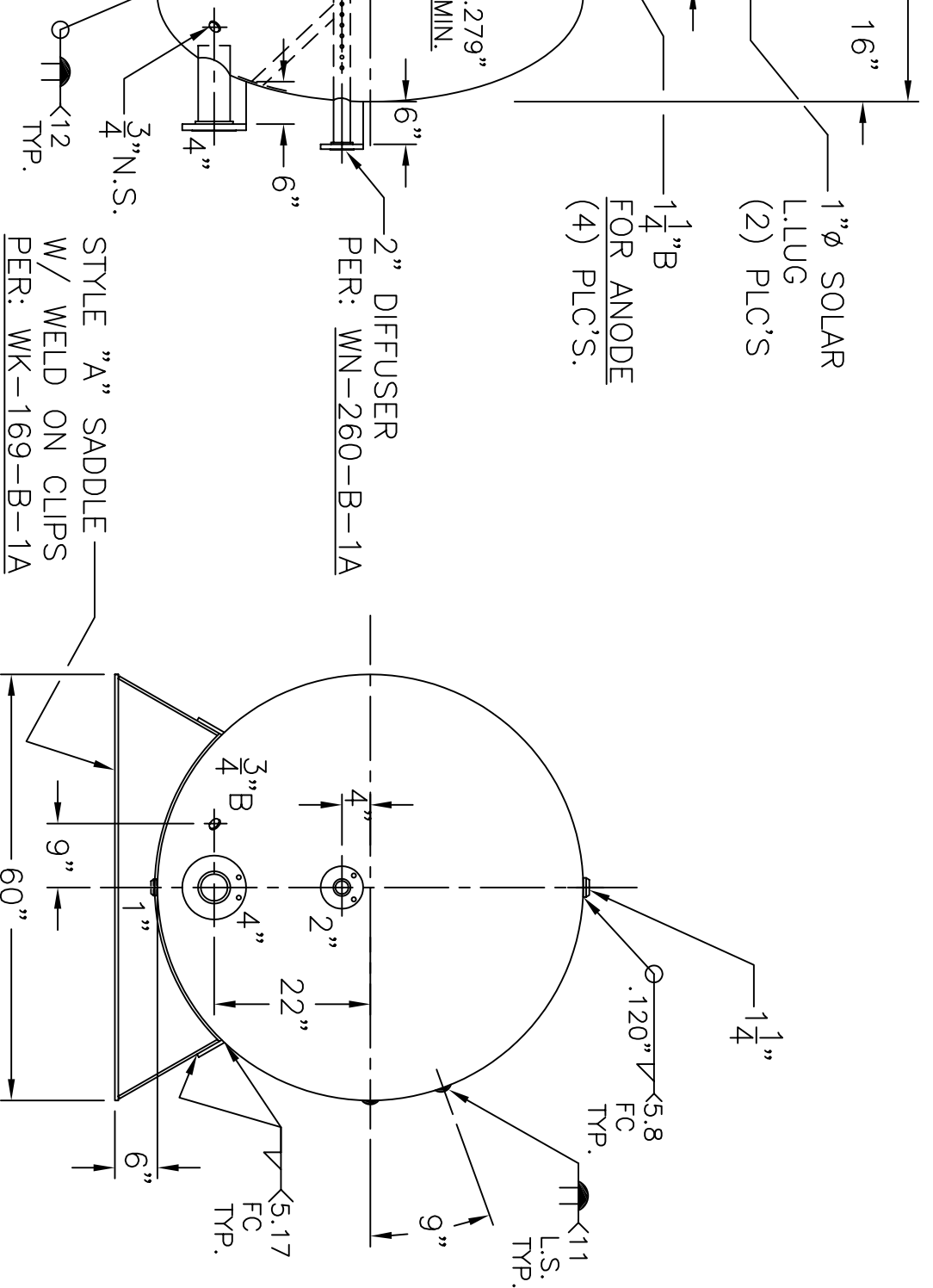
4"-150# R.F.S.O. C.S.
 FLG. W/SCH 80 S.S.
 ERW PIPE x 12"LG.- (2) PLC'S

5"STICK OUT

11"x 15"H.HOLE
 W/ 1"x 3"LG.
 GR.70 RING

ON OUTS

2"-150# R.F.S.O. C.S.
 FLG. W/SCH 40 S.S.
 ERW PIPE x 10 3/4"LG.



NOTE: 1) HYDRO @ 188 PSIG. MIN. TO 197 PSIG. MAX.

2) SHIP LOOSE W/ (2) 1 5/16" x 48"LG. FLEX. MAG. ANODES

3) ALL PIPES SA-312-304 S.S. E.R.W.

4) SHIP LOOSE W/ (2) 1 5/16" x 60"LG. FLEX. MAG. ANODES

5) SHIP LOOSE W/ (2) 1 5/16" x 48"LG. FLEX. MAG. ANODES

6) HYDRO @ 188 PSIG. MIN. TO 197 PSIG. MAX.

HEADS		SHELL	
LEFT	.277" MIN. SA-455 2:1 S.E.	RIGHT	.279" MIN. SA-455 2:1 S.E.
RIGHT	.245" SA-455 @ 80"	LEFT	.245" SA-455 @ 60"
M.A.W.P.	125 PSIG. @ 210 °F		
ASME SECTION IV 2010 ADD. 2010			
X-RAY: RT-NO / H.L.W.			
GALLONS: 1950		WT. 3334 LBS.	
SERIAL NO.			
N.B.			

WN-260-B	
FOR: -	REV. 6-24-11
HORIZ. HOT WATER TANK	DATE: 6-10-11
SURFACE AREA = 240.5 SQ. FT.	
INSIDE: GLASS LINED	
OUTSIDE: S. BLAST, PRIME	
BY: J.G./C.J. SCALE: 1/2"=12"	
ROY E. HANSON JR. MFG.	
1600 E. WASHINGTON BLVD.	
LOS ANGELES, CA 90021	