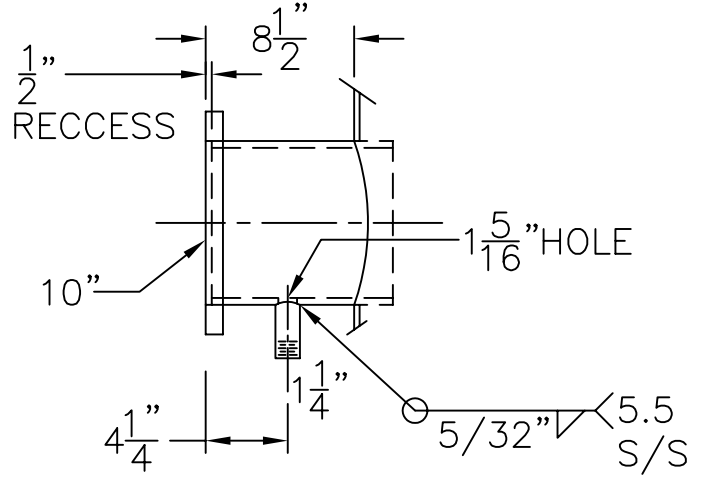


11" x 15" M.WAY
W/3/4" x 3" LG.
GR.70 RING



2 1/2" B W/
SHORT PILOT
1 1/4" - 3000#
FULL CPLG.
FOR ANODE
1" - 3000#
FULL CPLG.
7/32" x 7/32" x 5.2
TYP.
CPLGS.

1 1/2" Ø L LUG
(2) PLC'S.
2 1/2" R W/
SHORT PILOT
(2) PLC'S.

5.18
TYP.

5.17
TYP.

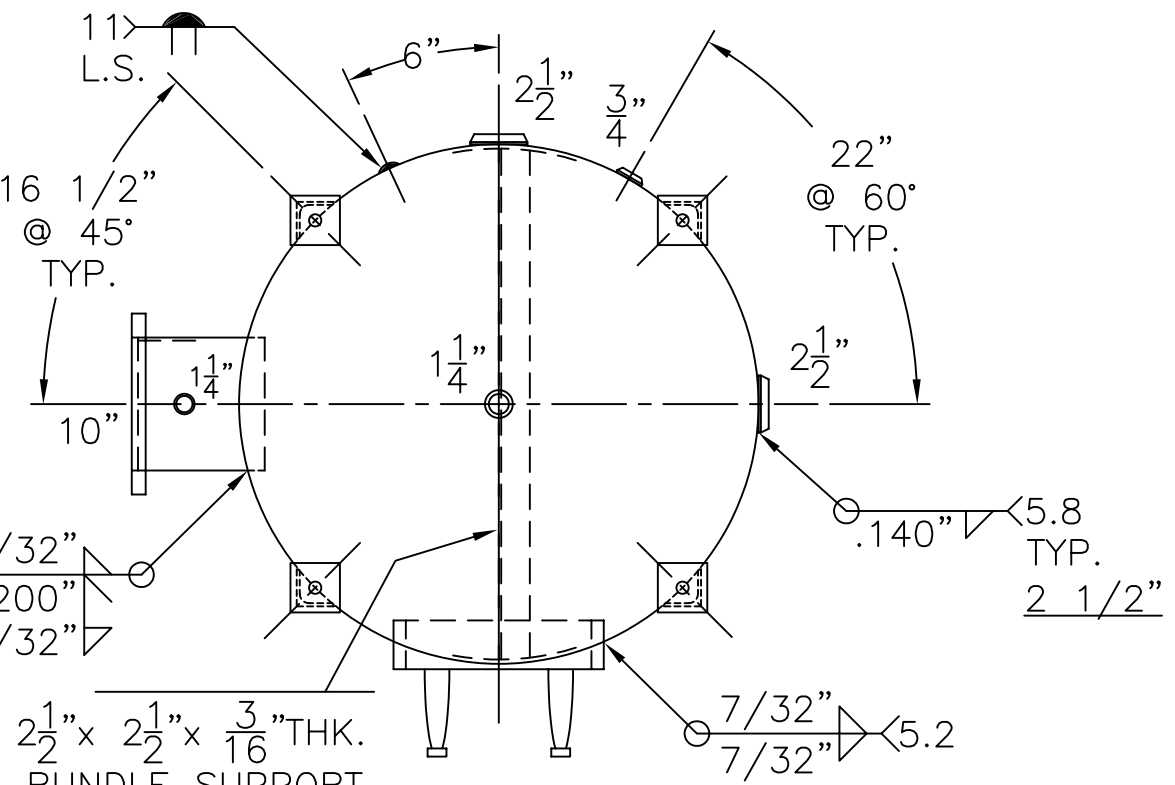
10" B. & G. C/S
FLG. W/X.HVY (1/2")
SA-312-304 SMLS.
PIPE x 9 1/2" LG.
W/1 1/4" SCH 40
PIPE x 3 3/16" LG.
T.O.E. - 304 S.S.

BUNDLE
SUPPORT

3/4" B
1 1/4" B

- NOTE: 1) SHIP LOOSE W/(1) 1 5/16" x 84" LG. FLEX. MAG. ANODE.
2) HYDRO @ 225 PSIG. MIN. TO 235 PSIG. MAX.
3) M. WAY: 4-27-04 PROOF TEST.
4) 10" COLLAR SA-312-304 SMLS.

1 1/4" - 3000#
HALF CPLG.
(4) 3" x 3" x 1/4" THK.
x 21 7/8" LG. ANGLE LEGS
(4) 4" x 4" x 3/8" THK.
PAD W/ 3/4" Ø HOLE



SHELL / HEADS	
.205" SA-455	2:1 S.E.
JOGGLE	
.200" SA-455	
M.A.W.P. 150	PSIG. @ 210 °F
ASME SECTION IV	2001 ADD 2003
X-RAY: RT-NO / H.L.W.	
GALLONS: 534	WT. 1020 LBS.
SERIAL NO.	
N.B.	

WK-784-B	
FOR: -	REV. 8-12-04
VERT. HOT WATER TANK	DATE: 8-9-04
SURFACE AREA = 94.3 SQ. FT.	
INSIDE: GLASS LINED	
OUTSIDE: PRIME	
LEG-ZONE 4-15 KM.	
BY: J.G./B.C.	SCALE: 3/4" = 12"
ROY E. HANSON JR. MFG.	
1924 COMPTON AVE.	
LOS ANGELES, CA 90011	