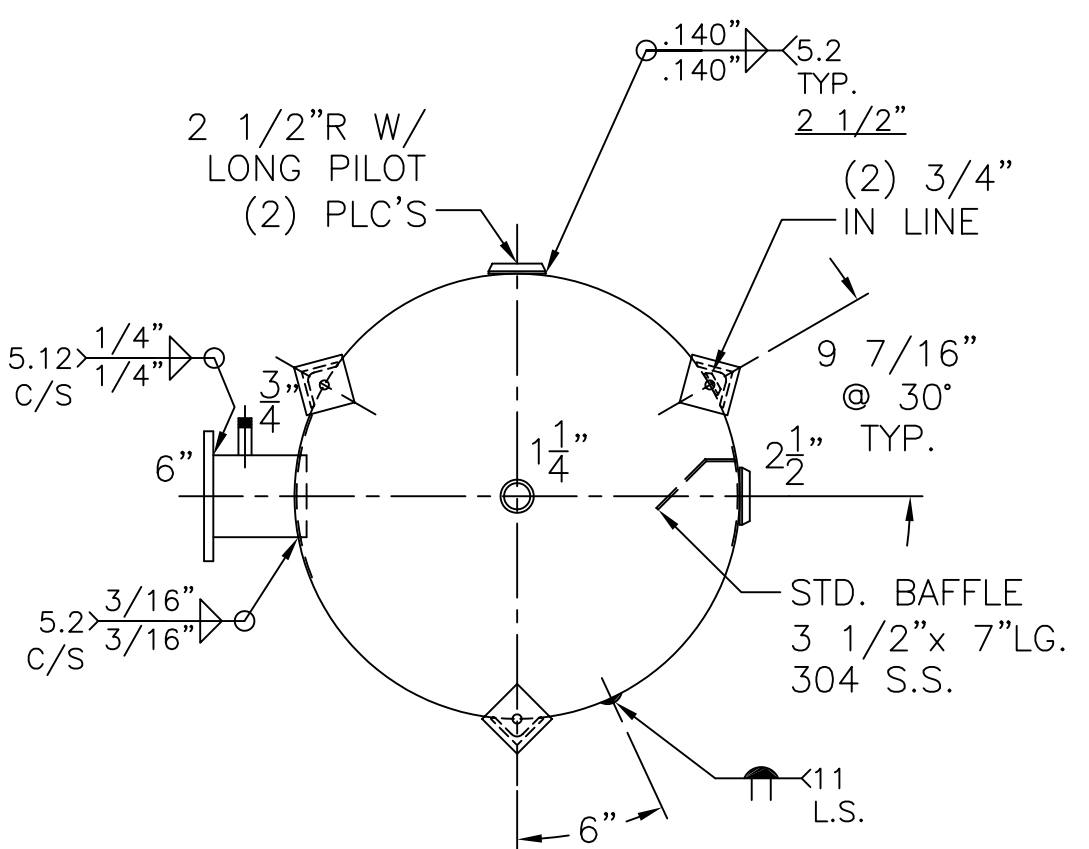


(3) 2 1/2"x 2 1/2"x 1/4" THK. x 20 7/8" LG. ANGLE LEG
 (3) 4"x 4"x 3/8" THK. PAD W/ 7/8" Ø HOLE FOR 5/8" Ø x 8" LG. BOLTS GRADE 5 OR BETTER 6" EMBEDMENT



ASME SECTION IV	2007 ADD. 2009
X-RAY:	RT-NO / H.L.W.
GALLONS:	260
WT.	545 LBS.
SERIAL NO.	
N.B.	
SHELL / HEADS	
M.A.W.P.	150 PSIG. @ 210 °F
JOGGLE -	.149 OFFSET
.165" SA-414-G	

NOTE: 1) 140" SA-414-G 2:1 S.E.
 2) HYDRO @ 225 PSIG. MIN. TO 235 PSIG. MAX.
 3) 1"-3000# F.C. ON TOP-304 S.S.
 4) ALL PIPES SA-312-304 E.R.W.
 SHIP LOOSE W/ (1) 1 5/16" x 48" LG. FLEX. MAG. ANODE.

FOR: -	WN-099-B
VERT. HOT WATER TANK	DATE: 11-23-10
SURFACE AREA = 57.5 SQ. FT.	REV.
INSIDE: GLASS LINED	
OUTSIDE: S. BLAST & PRIME	
LEG-ZONE 4-15 KM.	
BY: E.S. / C.J.	SCALE: 3/4"=12"
ROY E. HANSON JR. MFG.	
1600 E. WASHINGTON BLVD.	
LOS ANGELES, CA 90021	