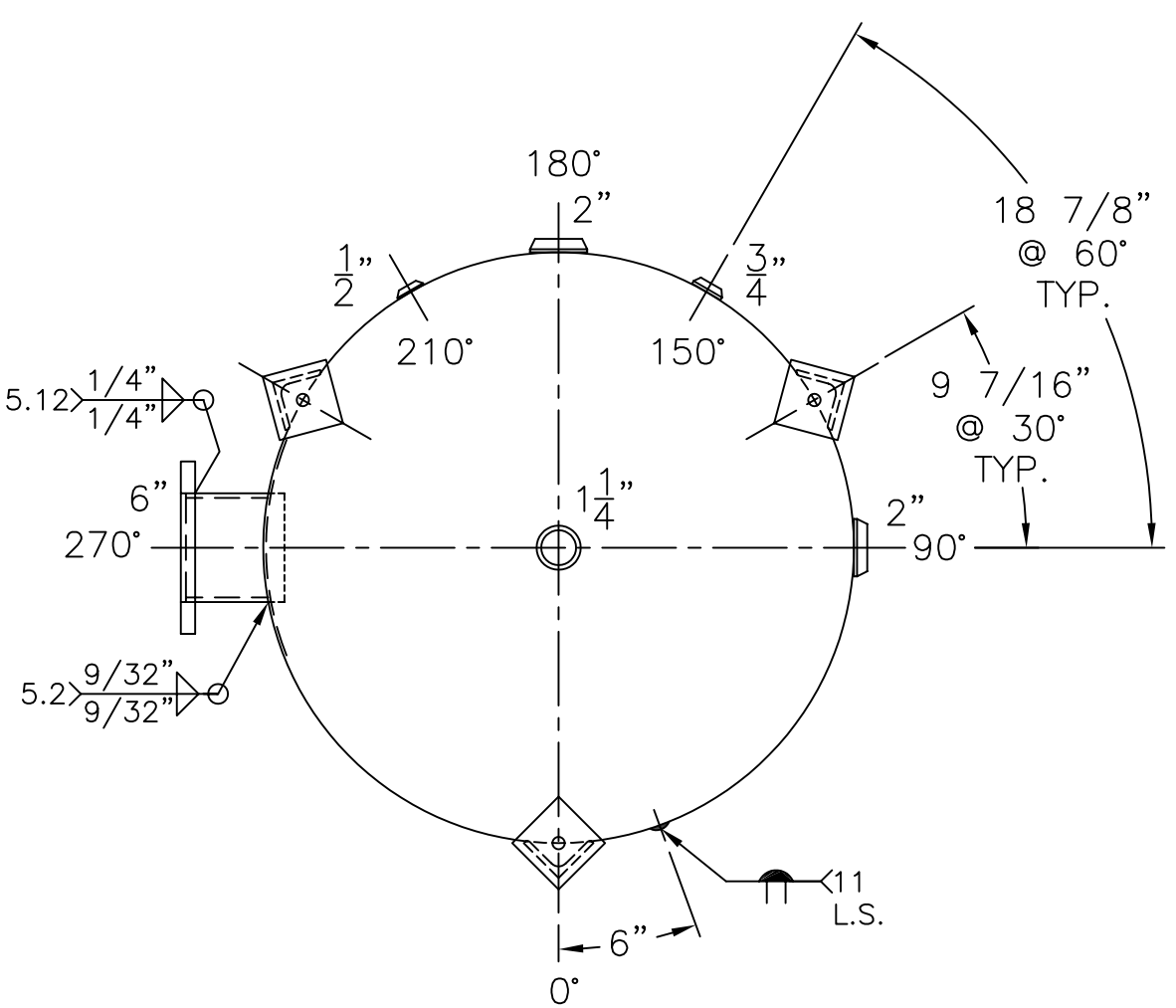


11"x 15" H. HOLE
W/ 3/4"x 3"LG.
GR.70 RING

6" B & G FLG.
W/ SCH. 40
SA-53-B
E.R.W. PIPE
(STOCK COLLAR
6 1/4" TOTAL
O.A. LENGTH)

(3) 3"x 3"x 3/16"THK.
x 21 1/8"LG. ANGLE LEGS

(3) 4"x 4"x 3/8"THK.
PAD W/ 7/8"Ø HOLE
FOR 5/8"Ø x 8"LG. BOLTS
GRADE 5 OR BETTER
6" EMBEDMENT



NOTE: 1) HYDRO @ 163 PSIG. MIN.

SHELL / HEADS	
.182" SA-414-G	2:1 S.E.
JOGGLE	
.165" SA-414-G	
M.A.W.P.	125 PSIG. @ 180 °F
M.D.M.T.	0 °F @ 125 PSIG.
ASME SECTION VIII	DIV. 1, 2010 ADD 2010
X-RAY:	RT-NO
GALLONS:	285
SERIAL NO.	WT. 602 LBS.
N.B.	

FOR: -	WN-147-B	REV:
VERT. HOT WATER TANK		DATE: 1-24-11
SURFACE AREA = 61.8 SQ. FT.		
INSIDE: EPOXY LINED		
OUTSIDE: SHOP PRIME		
LEG-ZONE 4-10 KM.		
BY: E.S. / C.J.	SCALE: 1" = 12"	
ROY E. HANSON JR. MFG.		
1600 E. WASHINGTON BLVD.		
LOS ANGELES, CA 90021		