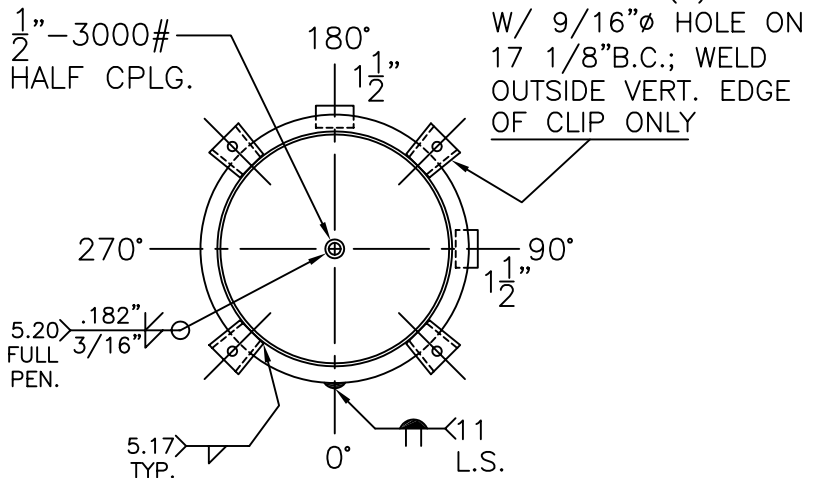


NOTE: 1) HYDRO @ 520 PSIG. MIN.

SHELL / HEADS	
M.A.W.P.	400 PSIG. @ 400 °F
M.D.M.T.	-20 °F @ 400 PSIG.
ASME SECTION VIII	DIV. 1, 2010 ADD 2011
X-RAY:	RT-NO
GALLONS:	30 WT. 155 LBS.
SERIAL NO.	
N.B.	

16-VJ-30-R	REV. 2-21-13
FOR: HANSON STANDARD	DATE: 4-18-11
VERT. AIR TANK	
SURFACE AREA = 14.7 SQ. FT.	
INSIDE: UNPAINTED	
OUTSIDE: PRIME	
BY: E.S.	SCALE: 1"=12"
ROY E. HANSON JR. MFG.	
1600 E. WASHINGTON BLVD.	
LOS ANGELES, CA 90021	



1/4" THK. CLIPS PER MA-395-B (4) PLC'S. W/ 9/16" Ø HOLE ON 17 1/8" B.C.; WELD OUTSIDE VERT. EDGE OF CLIP ONLY