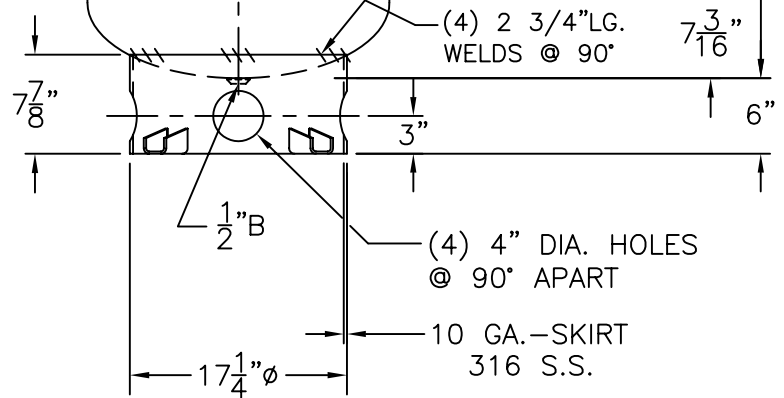


2"-3000# H.C.  
W/S. STL. PLUG  
INSP. OPENING  
(2) PLC'S.

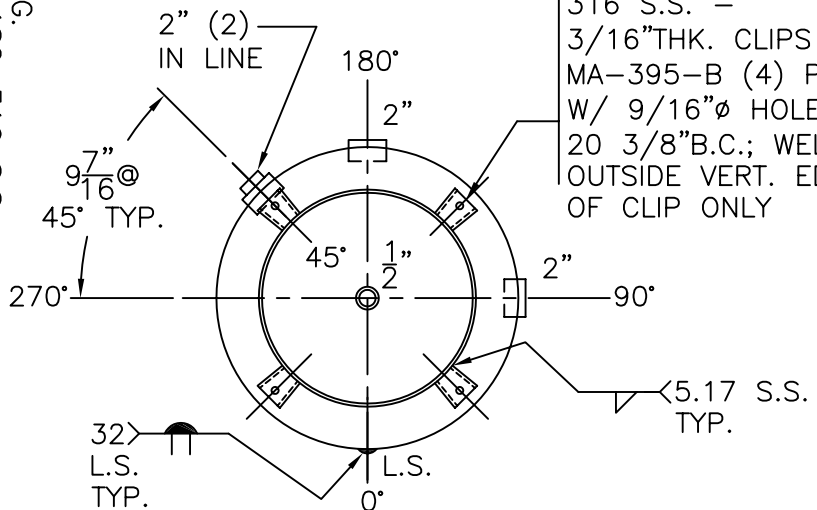
2"-3000#  
HALF CPLG.  
(2) PLC'S.

NOTE: 1) UHA-51 (e)(2) NO IMPACT TESTING.  
2) ALL CPLG'S AND BONYS ARE SA-182-316 S.S.  
3) HYDRO @ 260 PSIG. MIN.

SHELL / HEADS	
JOGGLED	.189 OFFSET
	.1875" SA-240-316 S.S. 2:1 S.E.
M.A.W.P.	200 PSIG. @ 200 °F
M.D.M.T.	-155 °F @ 200 PSIG.
ASME: SECTION VIII	DIV. 1, 2010 ADD 2011
X-RAY:	RT-NO
GALLONS:	120
SERIAL NO.	WT. 347 LBS.
N.B.	



316 S.S. -  
3/16" THK. CLIPS PER  
MA-395-B (4) PLC'S.  
W/ 9/16" Ø HOLE ON  
20 3/8" B.C.; WELD  
OUTSIDE VERT. EDGE  
OF CLIP ONLY



24-VA-120-R	REV. 12-30-11
316 S.S.	DATE: 1-24-06
FOR: HANSON TANK	
VERT. AIR TANK	
INSIDE: UNPAINTED - PASSIVATE	
OUTSIDE: BEAD BLAST & PASSIVATE	
BY: J.G.	SCALE: 3/4" = 12"
<b>ROY F. HANSON JR. MFG.</b>	
1600 E. WASHINGTON BLVD.	
LOS ANGELES, CA 90021	