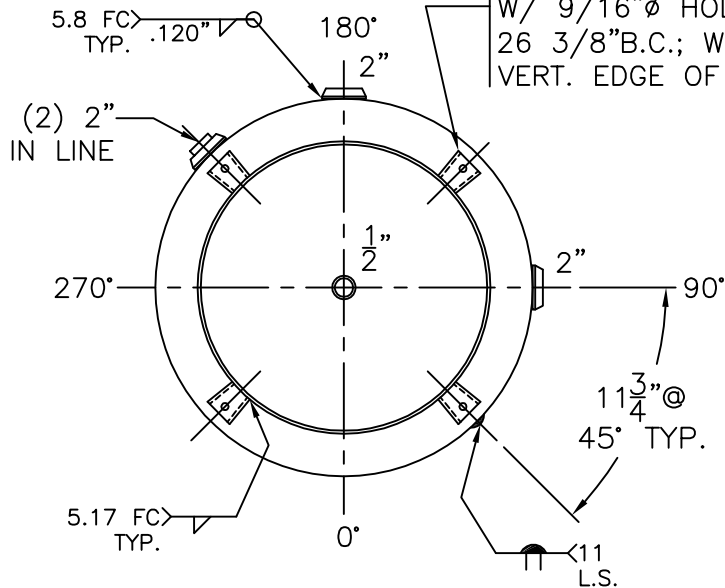


1/4" THK. CLIPS PER MA-395-B (4) PLC'S. W/ 9/16" ø HOLE ON 26 3/8" B.C.; WELD OUTSIDE VERT. EDGE OF CLIP ONLY



NOTE: 1) 2) WELDS TO, OR JOINING SA-612 HAVE W.P.S. W/ SUFFIX "B".
HYDRO @ 325 PSIG. MIN.

SHELL / HEADS	
.218" SA-612	2:1 S.E.
(.206" MIN.)	- JOGGLE
.262 SA-455	
(.2512" MIN.)	
M.A.W.P. 250 PSIG. @ 400 °F	
M.D.M.T. -20 °F @ 250 PSIG.	
ASME SECTION VIII DIV. 1, 2013	
X-RAY: RT-NO	WT. 555 LBS.
GALLONS: 200	
SERIAL NO.	
N.B.	
30-VC-200-R	REV. 6-16-14
FOR: HANSON STANDARD	DATE: 11-24-86
VERT. AIR TANK	
SURFACE AREA = 50.9 SQ. FT.	
INSIDE: UNPAINTED	
OUTSIDE: PRIME	
BY: E.S.	SCALE: 3/4" = 12"
ROY F. HANSON JR. MFG.	
1600 E. WASHINGTON BLVD.	
LOS ANGELES, CA 90021	