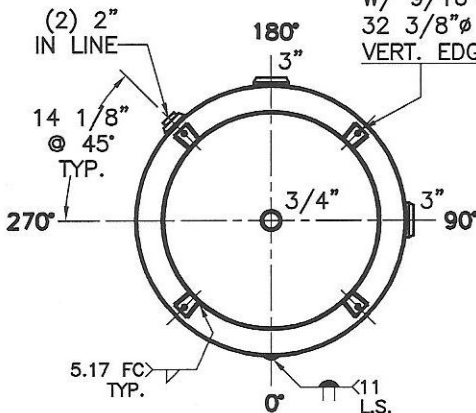


NOTE: 1) HYDRO @ 325 PSIG, MIN.

1/4" THK. CLIPS PER
MA-395-B (4) PLC'S.
W/ 9/16" Ø HOLE ON
32 3/8" Ø B.C.; WELD OUTSIDE
VERT. EDGE OF CLIP ONLY



SHELL / HEADS	
JOGGLE	.252" SA-455 2:1 S.E.
	.262" SA-455
M.A.W.P.	250 PSIG. @ 400 °F
M.D.M.T.	-20 °F @ 250 PSIG.
ASME SECTION VIII	DIV. 1, 2010 ADD. 2011
X-RAY:	RT-4 SPOT L.S. ONLY
GALLONS:	400 WT. 995 LBS.
SERIAL NO.	
N.B.	

36-VC-400-R	REV. 5-9-13
FOR: HANSON STANDARD	DATE: 3-22-99
VERT. AIR TANK	
SURFACE AREA = 82.3 SQ. FT.	
INSIDE: UNPAINTED	
OUTSIDE: PRIME	
CAD-"B" UNDER "STD"-SERIES	
BY: E.S.	SCALE: 3/4"=12"
ROY E. HANSON JR. MFG.	
1600 E. WASHINGTON BLVD.	
LOS ANGELES, CA 90021	