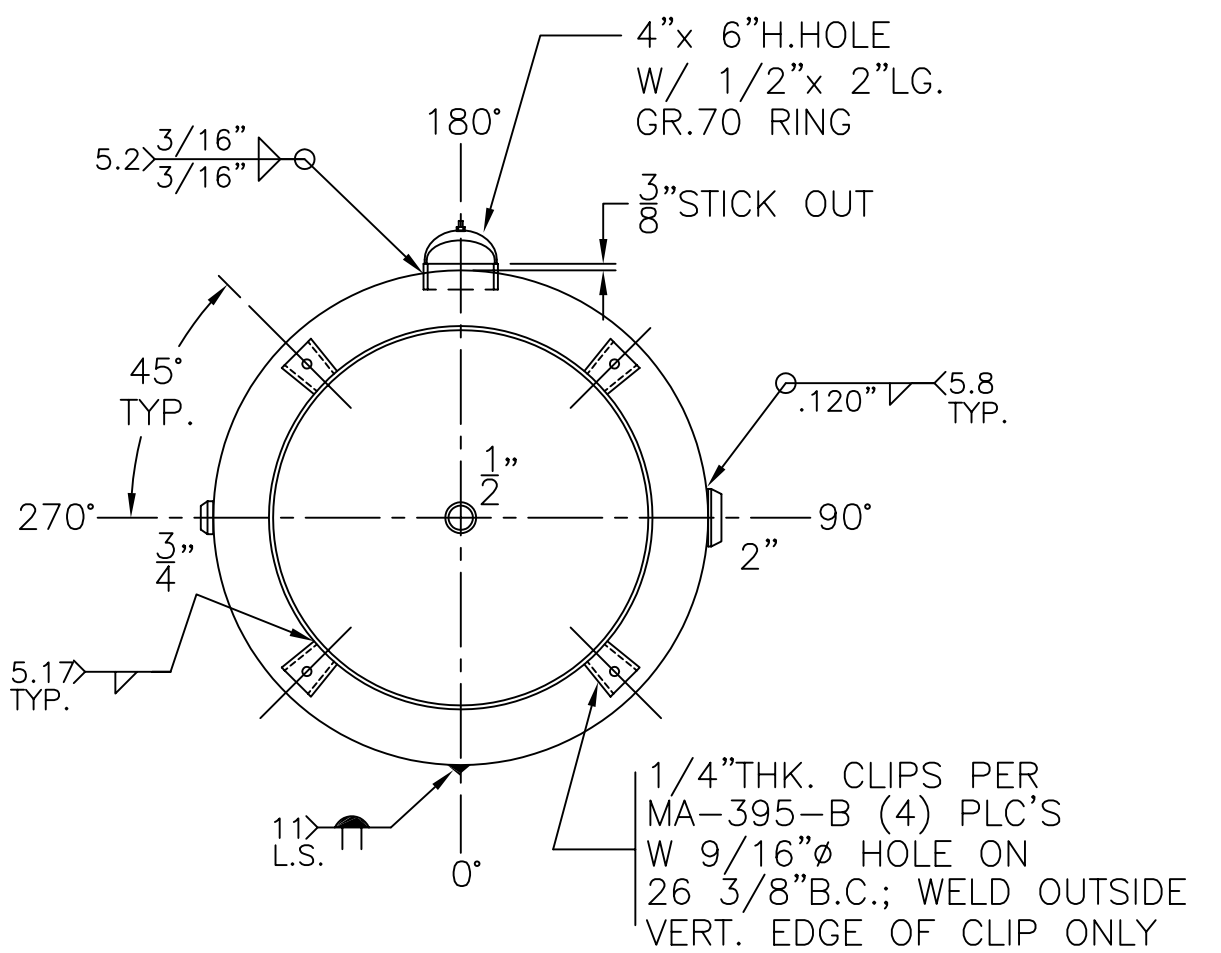


2"R W/ C.I. PLUG
INSP. OPENING
(PLUG AFTER GALVANIZING)

NOTE: 1) HYDRO @ 260 PSIG. MIN.

SHELL / HEADS	.166" SA-414-G 2:1 S.E. (.164" MIN.) JOGGLE
M.A.W.P.	200 PSIG. @ 300 °F
M.D.M.T.	-20 °F @ 200 PSIG.
ASME SECTION VIII	DIV. 1, 2010 ADD 2011
X-RAY:	RT-4 SPOT L.S. NOT G.S.
GALLONS:	200 WT. 484 LBS.
SERIAL NO.	
N.B.	

1-30-VA-200-R	REV. 12-18-12
	DATE: 11-28-86
FOR: HANSON STANDARD	
VERT. AIR TANK	
SURFACE AREA = 50.8 SQ. FT.	
INSIDE: GALVANIZED	
OUTSIDE: GALVANIZED	
CAD-"B" SIZE UNDER "STD"-SERIES	
BY: J.G.	SCALE: 1"=12"
ROY E. HANSON JR. MFG.	
1600 E. WASHINGTON BLVD.	
LOS ANGELES, CA 90021	



1/4" THK. CLIPS PER
MA-395-B (4) PLC'S
W 9/16" Ø HOLE ON
26 3/8" B.C.; WELD OUTSIDE
VERT. EDGE OF CLIP ONLY