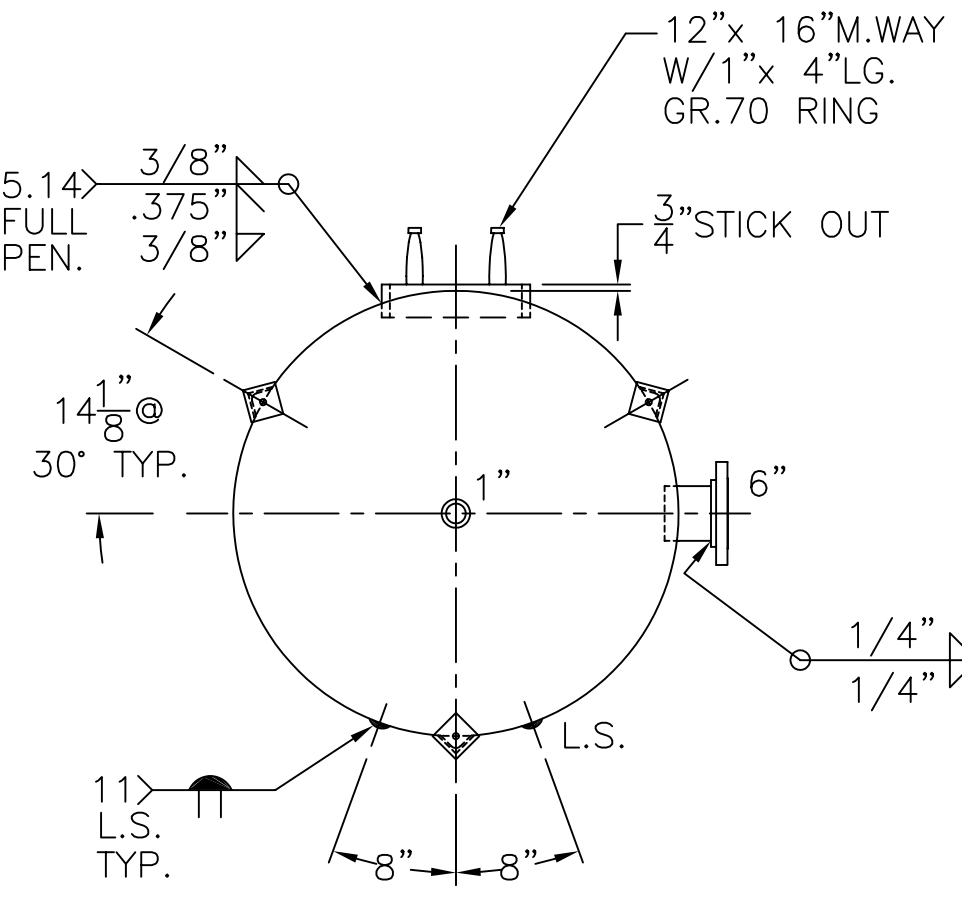


(3) 3" x 3" x 3/8" THK. x 26 13/16" LG. ANGLE LEGS

(3) 4" x 4" x 1/2" THK. PAD W/1" Ø HOLE



NOTE: 1) HYDRO @ 325 PSIG. MIN.

SHELL / HEADS		.375" SA-516-70 2:1 S.E. (.334" MIN.)	
M.A.W.P.	250 PSIG. @ 400 °F	54-VC-1550-L	
M.D.M.T.	-20 °F @ 250 PSIG.	FOR: HANSON STANDARD	REV. 12-10-02
ASME SECTION VIII	DIV. 1, 2001 ADD 2002	VERT. AIR TANK	DATE: 6-8-99
X-RAY: RT-4 SPOT L.S. & SPOT HDS. G.S.		INSIDE: UNPAINTED	
GALLONS: 1550	WT. 3574 LBS.	OUTSIDE: PRIME	
SERIAL NO.		CAD "B" SIZE UNDER "STD"-SERIES	
N.B.		BY: J.G.	
		SCALE: 1/2" = 12"	
		ROY E. HANSON JR. MFG.	
		1924 COMPTON AVE.	
		LOS ANGELES, CA 90011	