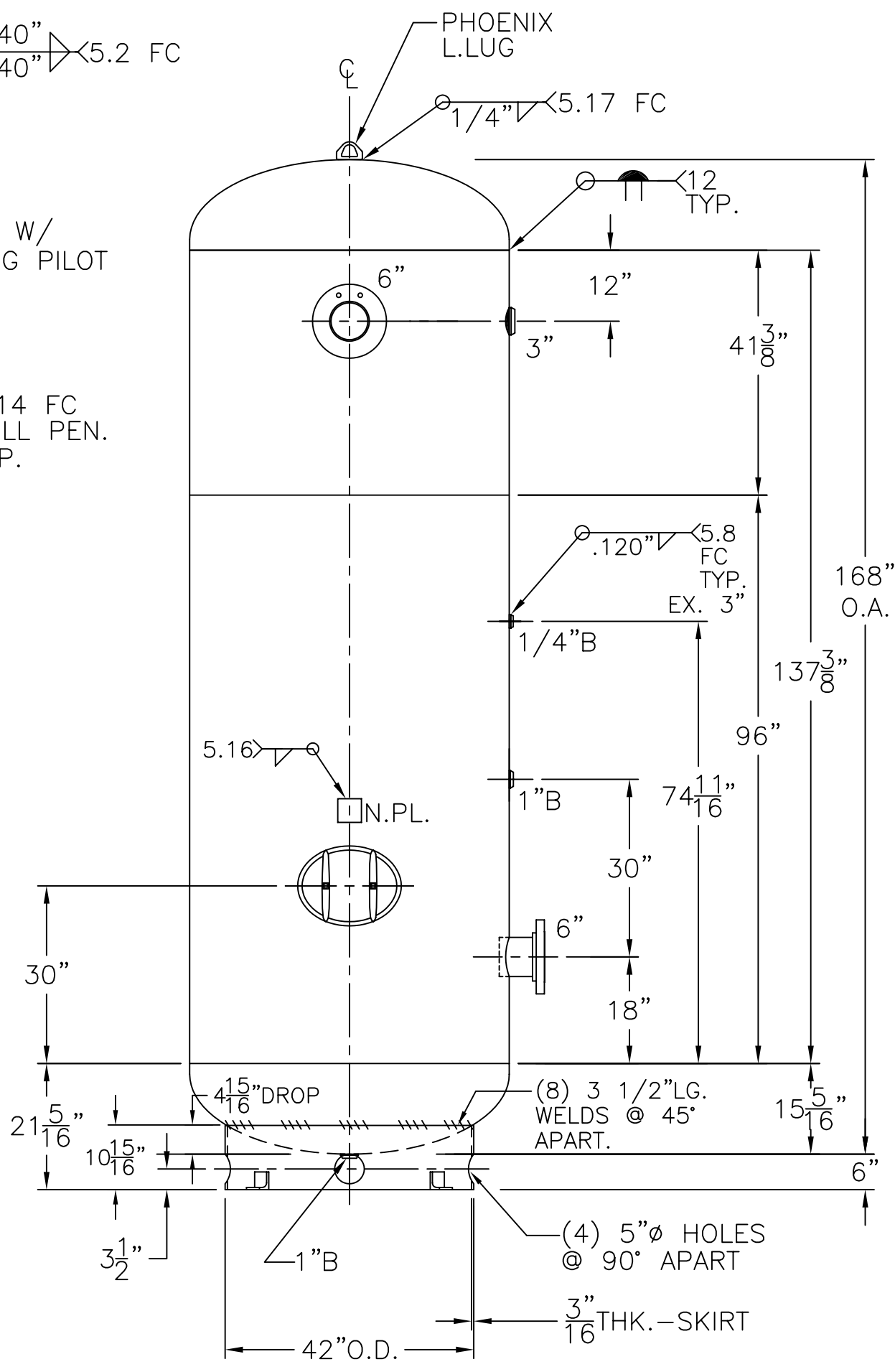
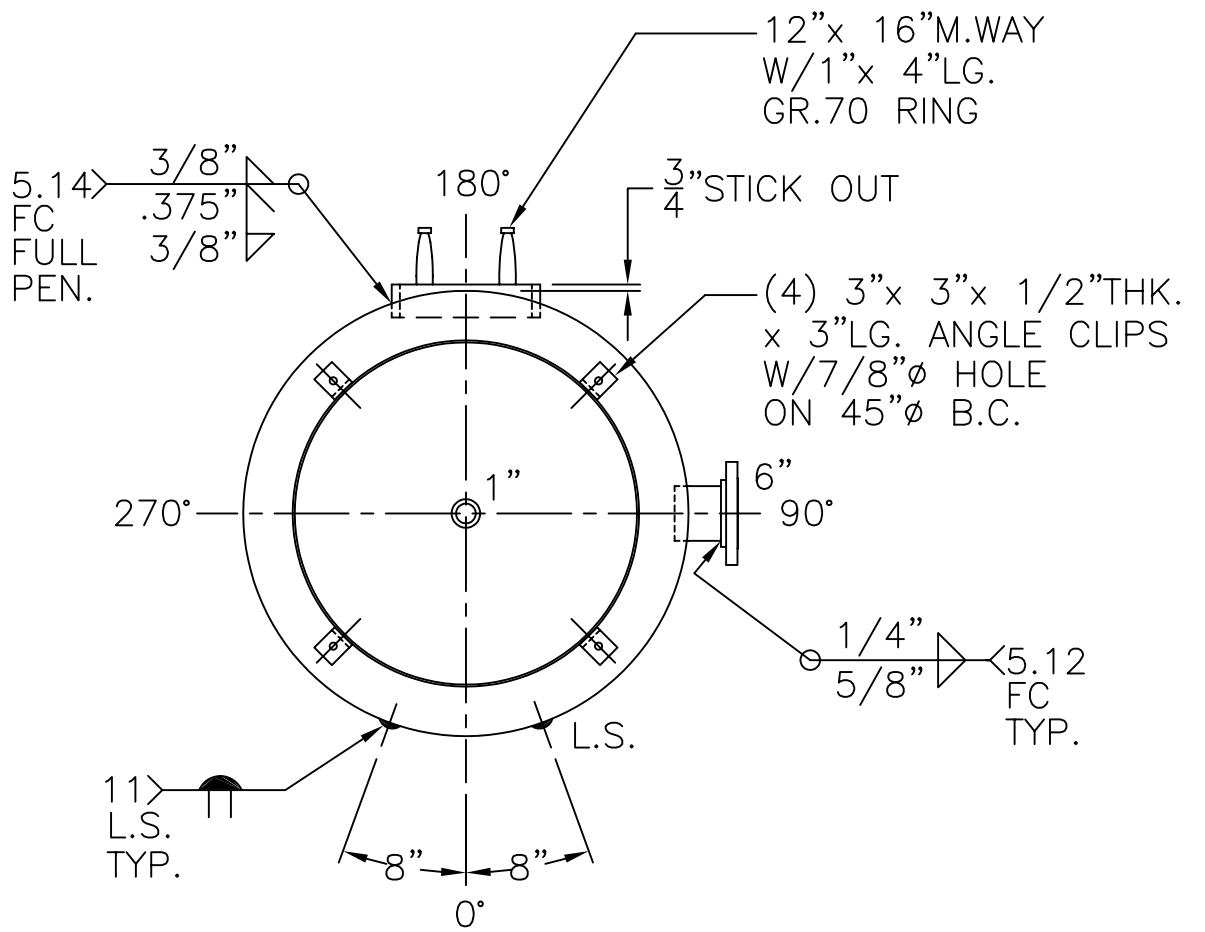


6"-300# R.F.S.O.  
 FLG. W/SCH 80  
 SA-106-B  
 PIPE x 7 5/8"LG.  
 (2) PLC'S



NOTE: 1) HYDRO @ 325 PSIG. MIN.



SHELL / HEADS		.375" SA-516-70 2:1 S.E. (.334" MIN.)	
M.A.W.P.	250 PSIG. @ 400 °F	54-VC-1550-R	
M.D.M.T.	-20 °F @ 250 PSIG.	FOR: HANSON STANDARD	REV. 8-8-11
ASME SECTION VIII	DIV. 1, 2010 ADD 2010	VERT. AIR TANK	DATE: 6-9-99
X-RAY: RT-4 SPOT L.S. & SPOT HDS. G.S.		INSIDE: UNPAINTED	
GALLONS: 1550	WT. 3603 LBS.	OUTSIDE: PRIME	
SERIAL NO.		CAD "B" SIZE UNDER "STD"-SERIES	
N.B.		BY: J.G.	
		SCALE: 1/2"=12"	
		<b>ROY E. HANSON JR. MFG.</b>	
		1600 E. WASHINGTON BLVD.	
		LOS ANGELES, CA 90021	