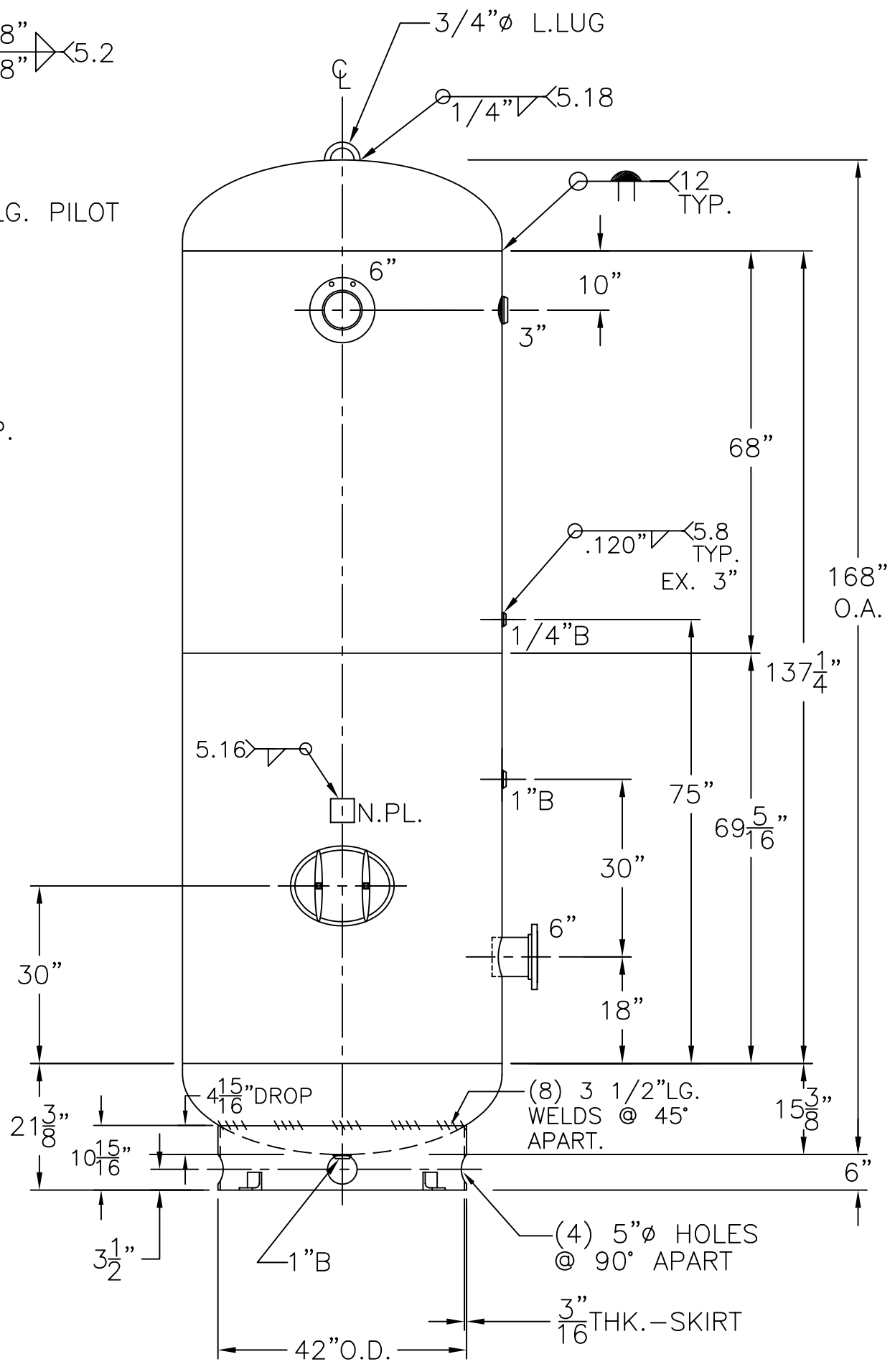


6"-150# R.F.S.O.
 FLG. W/SCH 80
 PIPE x 7 5/8"LG.
 (2) PLC'S



NOTE: 1) HYDRO @ 179 PSIG. MIN.

SHELL / HEADS		.240" SA-455 2:1 S.E.	
JOGGLE			
.225" SA-455			
M.A.W.P.	137 PSIG. @ 400 °F		
M.D.M.T.	-20 °F @ 137 PSIG.		
ASME SECTION VIII	DIV. 1, 2001 ADD 2003		
X-RAY:	RT-4 SPOT L.S.		
GALLONS:	1550	WT.	2235 LBS.
SERIAL NO.			
N.B.			
54-VQ-1550-R		REV.	8-20-04
FOR: HANSON STANDARD		DATE:	8-29-96
VERT. AIR TANK			
INSIDE: UNPAINTED			
OUTSIDE: PRIME			
CAD "B" SIZE UNDER "STD"-SERIES			
BY: E.S.	SCALE: 1/2"=12"		
ROY E. HANSON JR. MFG.			
1924 COMPTON AVE.			
LOS ANGELES, CA 90011			

