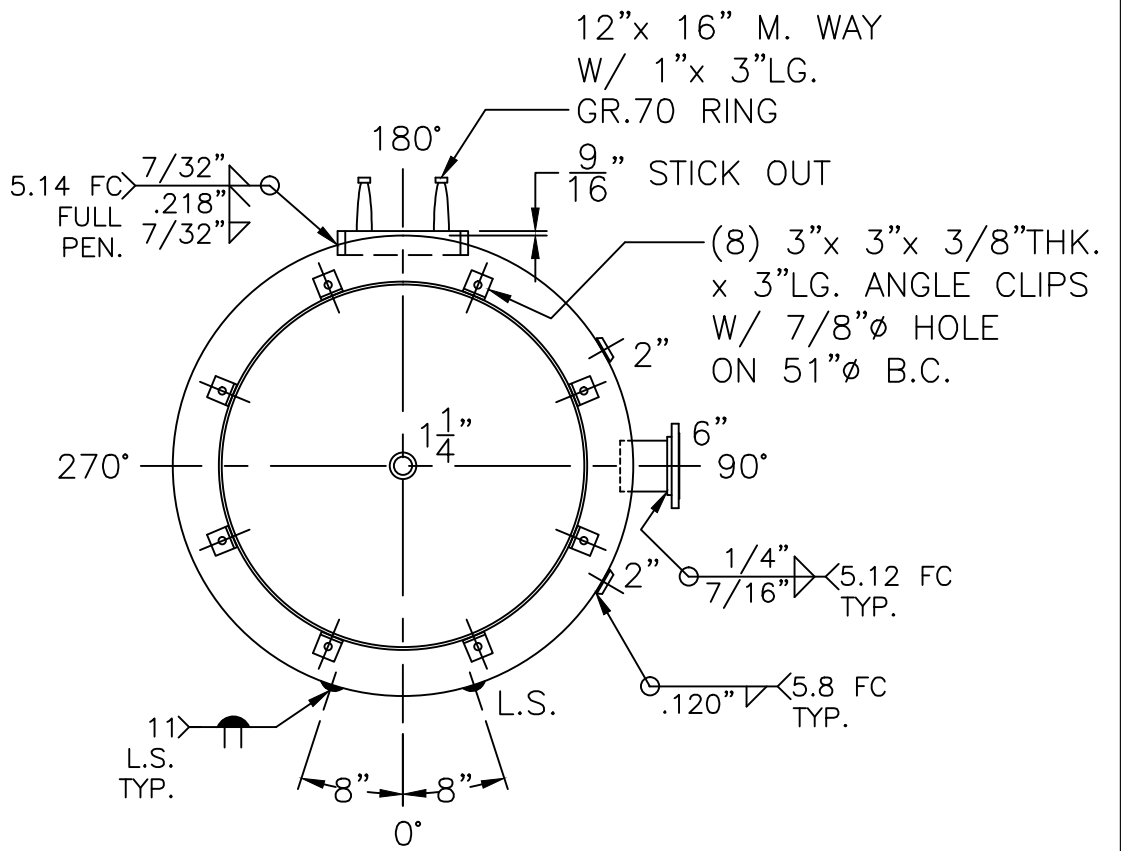
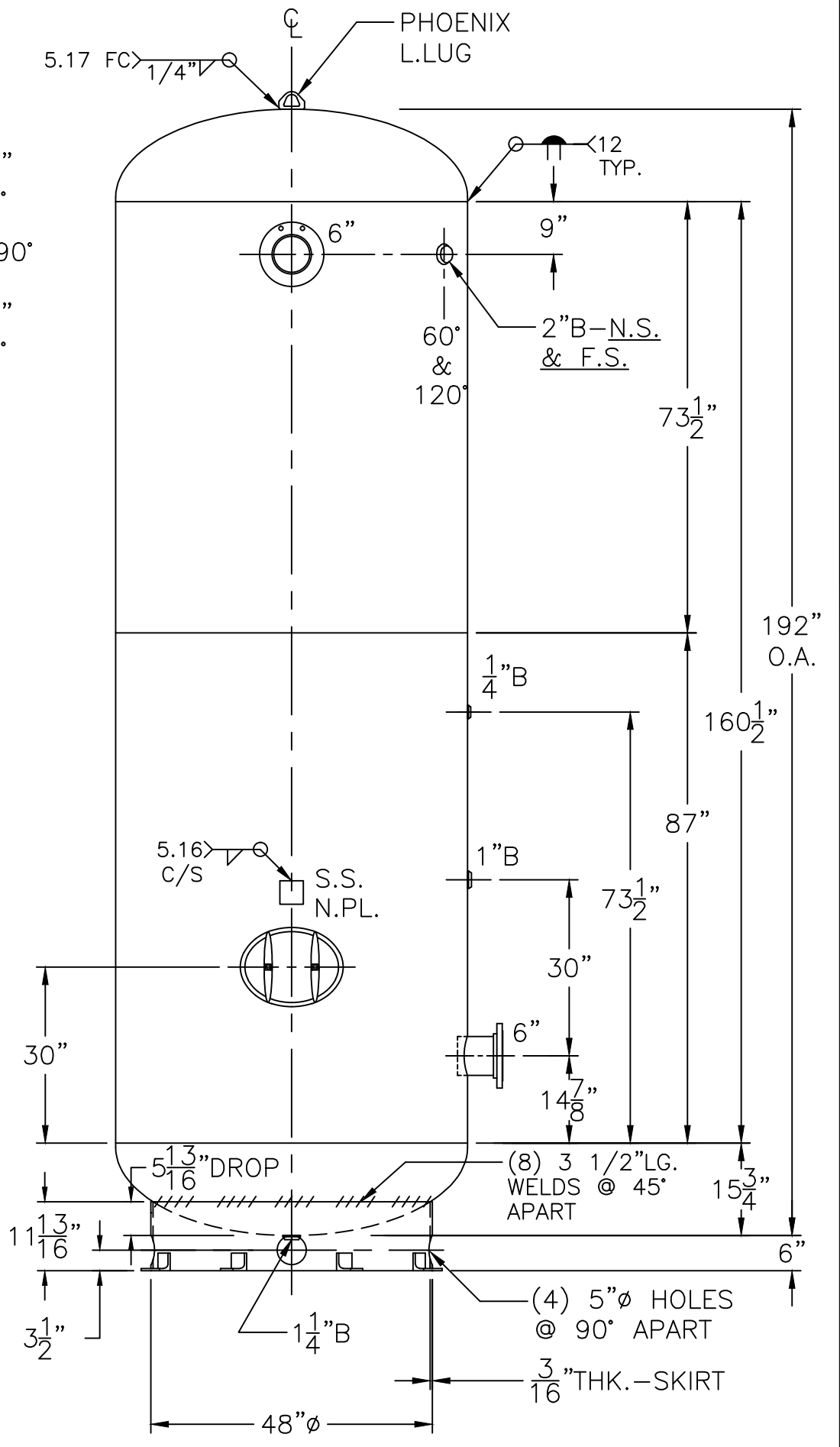


6"-150# R.F.S.O.
 FLG. W/ SCH. 80
 SA-106-B
 PIPE x 7 5/8"LG.
 (2) PLC'S.



NOTE: 1) HYDRO @ 163 PSIG. MIN.

| SHELL / HEADS | |
|---------------------------------|---------------------|
| .252" SA-455 | 2:1 S.E. |
| (.209" MIN.) | |
| .218" SA-455 | |
| M.A.W.P. | 125 PSIG. @ 400 °F |
| M.D.M.T. | -20 °F @ 125 PSIG. |
| ASME. SECTION VIII DIV. 1, 2015 | |
| X-RAY: | RT-4 SPOT L.S. ONLY |
| GALLONS: | 2180 WT. 2954 LBS. |
| SERIAL NO. | |
| N.B. | |

| | |
|---------------------------------|-------------------|
| 60-VG-2180-R | REV. 3-17-16 |
| FOR: HANSON STANDARD | DATE: 11-10-98 |
| VERT. AIR TANK | |
| SURFACE AREA = 265.5 SQ. FT. | |
| INSIDE: UNPAINTED | |
| OUTSIDE: PRIME | |
| CAD "B" SIZE UNDER "STD"-SERIES | |
| BY: E.S. | SCALE: 1/2" = 12" |
| ROY E. HANSON JR. MFG. | |
| LOS ANGELES, CA 90021 | |