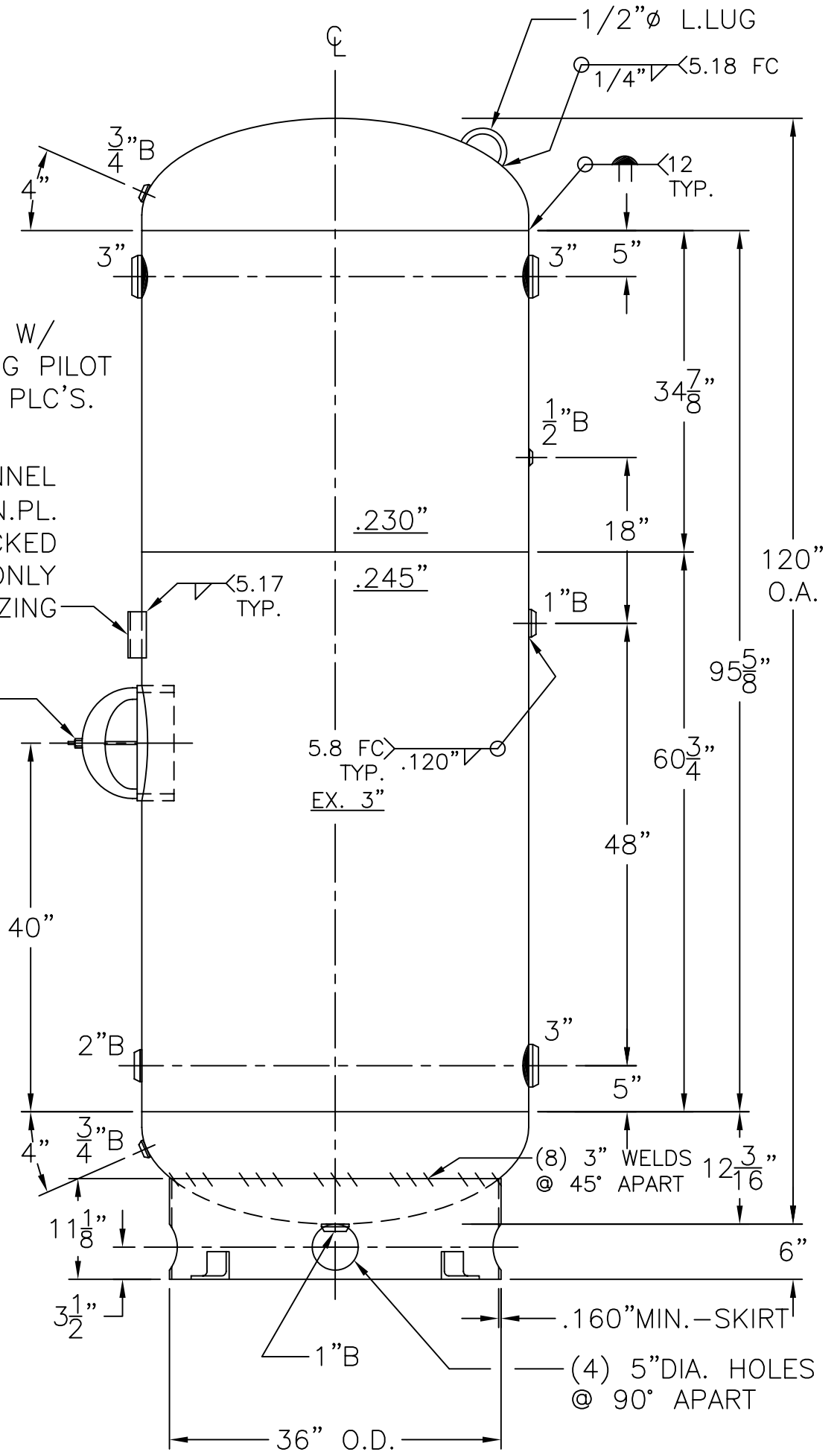


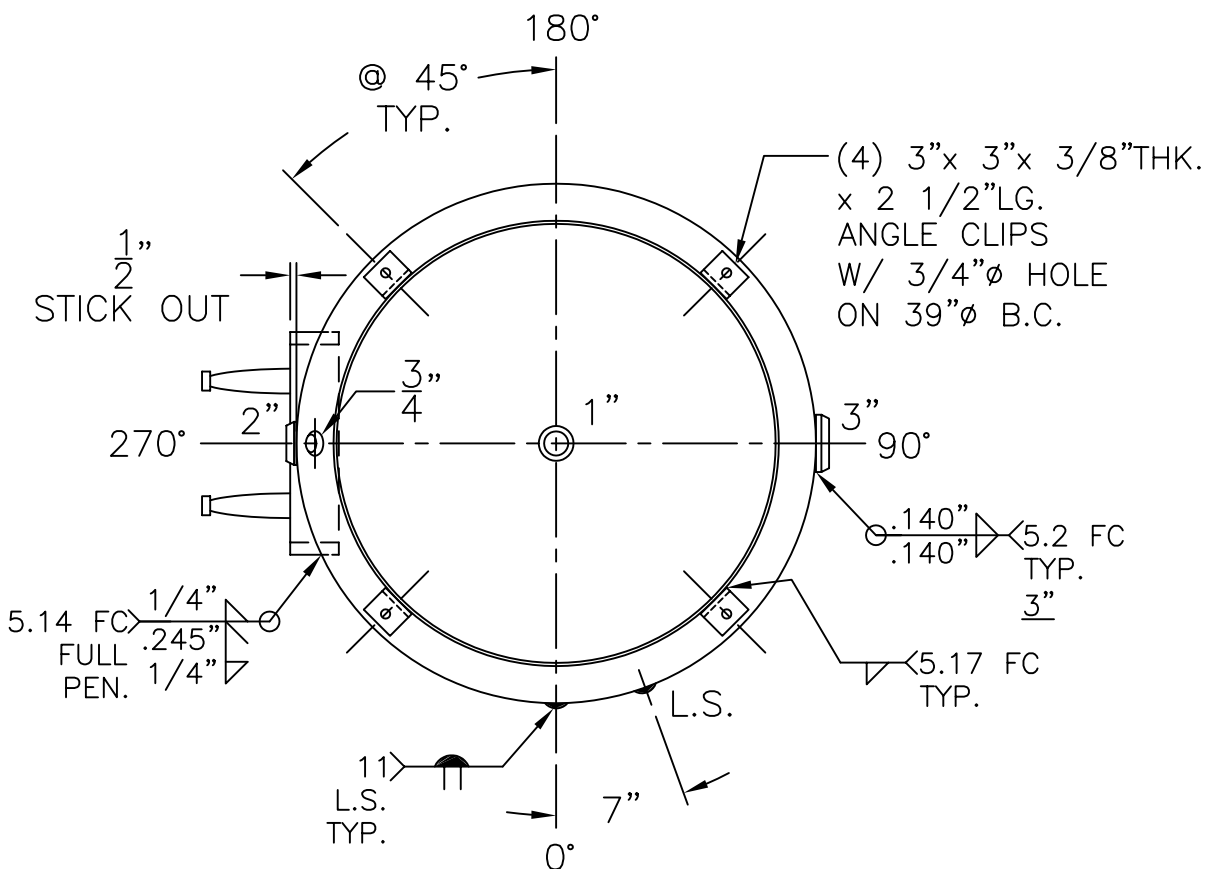
6"-8.2# CHANNEL  
x 5 1/2" LG. FOR N.P.L.  
INSTALL N.P.L. TACKED  
(4) CORNERS ONLY  
AFTER GALVANIZING

12"x 16" M. WAY  
W/ 1"x 4" LG.  
GR.70 RING



NOTE: 1) HYDRO @ 260 PSIG. MIN.

SHELL / HEADS	.250" SA-455 2:1 S.E.
JOGGLE	(.230" MIN.)
TOP-.230" SA-455 @ 34 7/8"	
LOWER-.245" SA-455 @ 60 3/4"	
M.A.W.P.	200 PSIG. @ 300 °F
M.D.M.T.	-20 °F @ 200 PSIG.
ASME SECTION VIII	DIV. 1, 2010 ADD 2011
X-RAY:	RT-4 SPOT L.S. ONLY
GALLONS:	650 WT. 1474 LBS.
SERIAL NO.	
N.B.	



1-42-VA-650-R	REV. 5-1-12
FOR: HANSON STANDARD	DATE: 11-8-90
VERT. AIR TANK	
SURFACE AREA = 117.3 SQ. FT.	
INSIDE: GALVANIZED	
OUTSIDE: GALVANIZED	
CAD "B" SIZE UNDER "STD"-SERIES	
BY: E.S.	SCALE: 3/4"=12"
<b>ROY E. HANSON JR. MFG.</b>	
1600 E. WASHINGTON BLVD.	
LOS ANGELES, CA 90021	