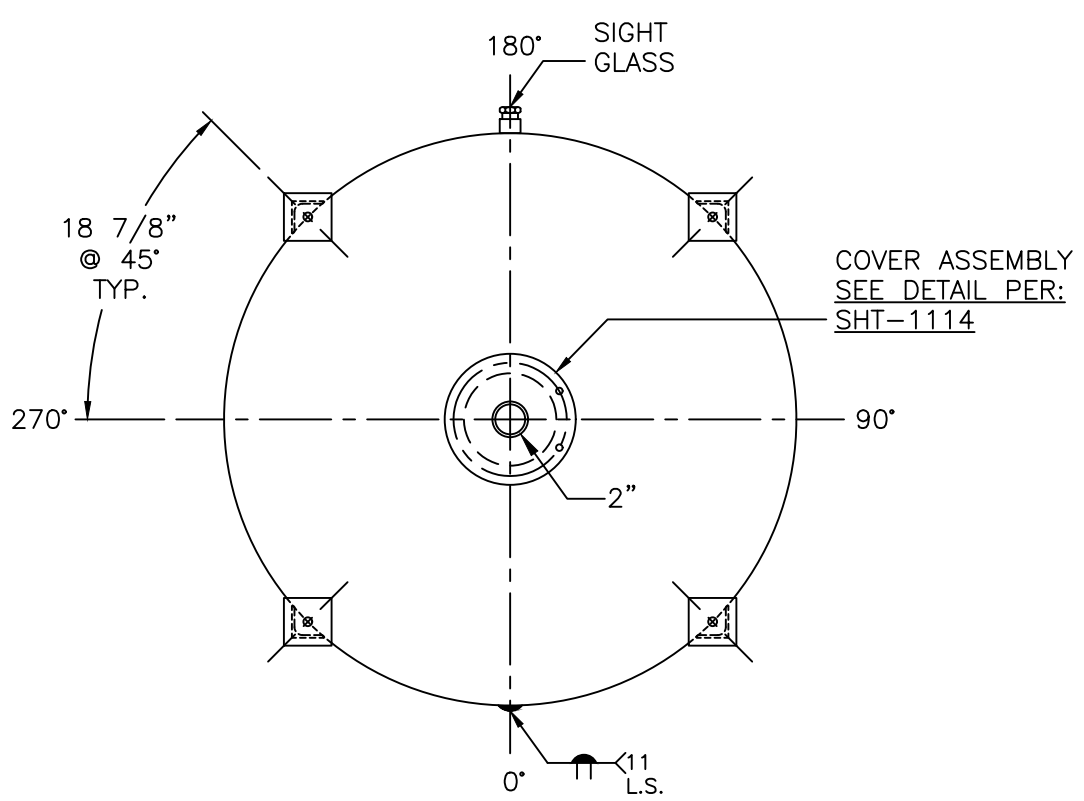


COVER ASSEMBLY DTL.



NOTE: 1) HYDRO @ 163 PSIG. MIN. 2) FOR NON CORROSIVE SERVICE-BLADDER TANK.

SHELL / HEADS	
TOP-JOGGLE	.250" SA-455 2:1 S.E.
BTM-TRIM	
	.205" SA-455
M.A.W.P.	125 PSIG. @ 240 °F.
M.D.M.T.	32 °F @ 125 PSIG.
ASME SECTION VIII	DIV. 1, 2015
X-RAY:	RT-NO
GALLONS:	660 WT. 1258 LBS.
SERIAL NO.	
N.B.	
BB-660-L	
REV.	1-4-16
DATE:	4-1-05
HANSON STANDARD	
VERT. BLADDER TANK	
SURFACE AREA = 108.0 SQ. FT.	
INSIDE: UNPAINTED	
OUTSIDE: PRIMER	
LEG-ZONE 4-15 KM.	
BY: E.S.	SCALE: 3/4"=12"
ROY F. HANSON JR. MFG.	
LOS ANGELES, CA 90021	