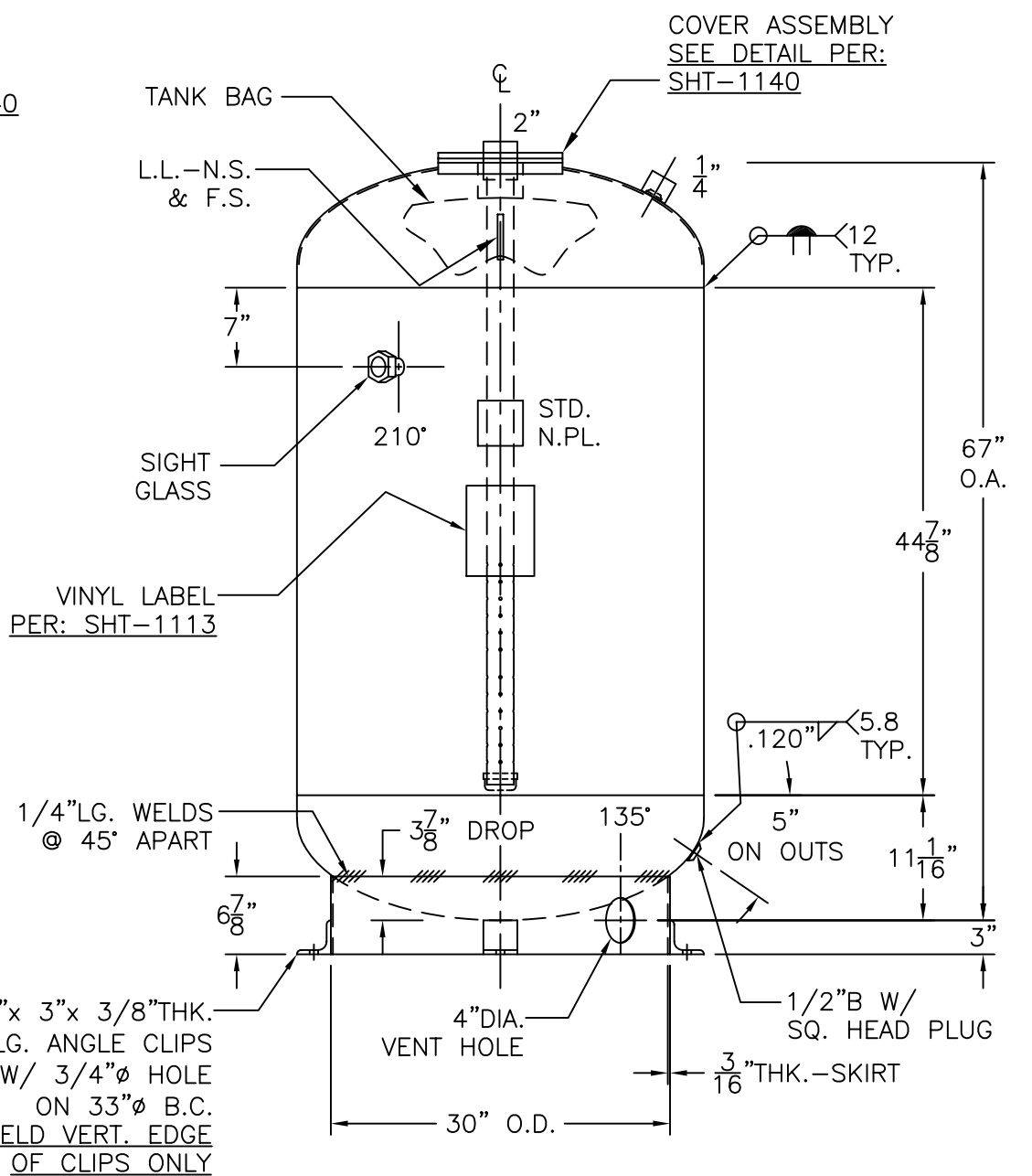
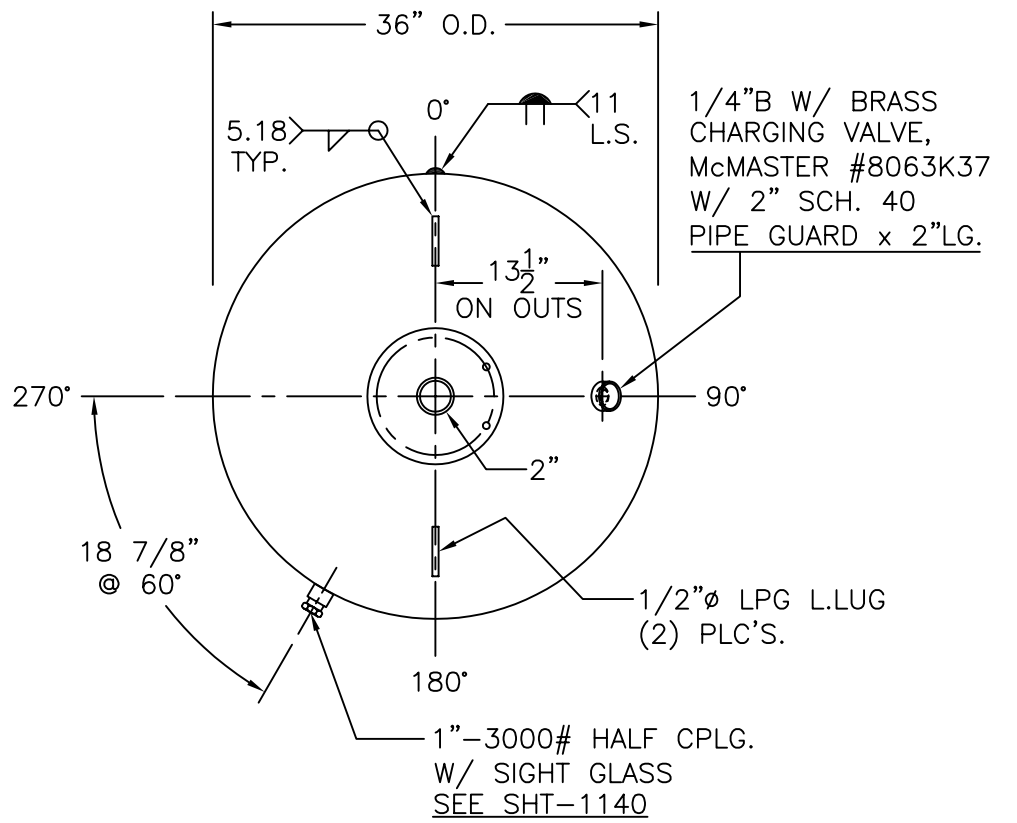


**COVER ASSEMBLY DTL.**



NOTE: 1) HYDRO @ 163 PSIG. MIN.  
2) INSPECTION OPENING, UG 46(f)(6).

SHELL / HEADS	
.182" SA-414-G	2:1 S.E.
JOGGLE - .149" OFFSET	
.164" SA-414-G	
M.A.W.P. 125 PSIG. @ 240 °F	
M.D.M.T. 32 °F @ 125 PSIG.	
ASME SECTION VIII DIV. 1, 2010 ADD. 2010	
X-RAY: RT-NO	
GALLONS: 264	WT. 559 LBS.
SERIAL NO.	
N.B.	

TB-264-R	
REVISION: 9-21-11	DATE: 4-1-05
HANSON STANDARD	
VERT. BLADDER TANK	
SURFACE AREA = 58.0 SQ. FT.	
INSIDE: UNPAINTED	
OUTSIDE: PRIMER	
BY: E.S.	SCALE: 3/4" = 12"
<b>ROY E. HANSON JR. MFG.</b>	
1600 E. WASHINGTON BLVD. LOS ANGELES, CA 90021	