

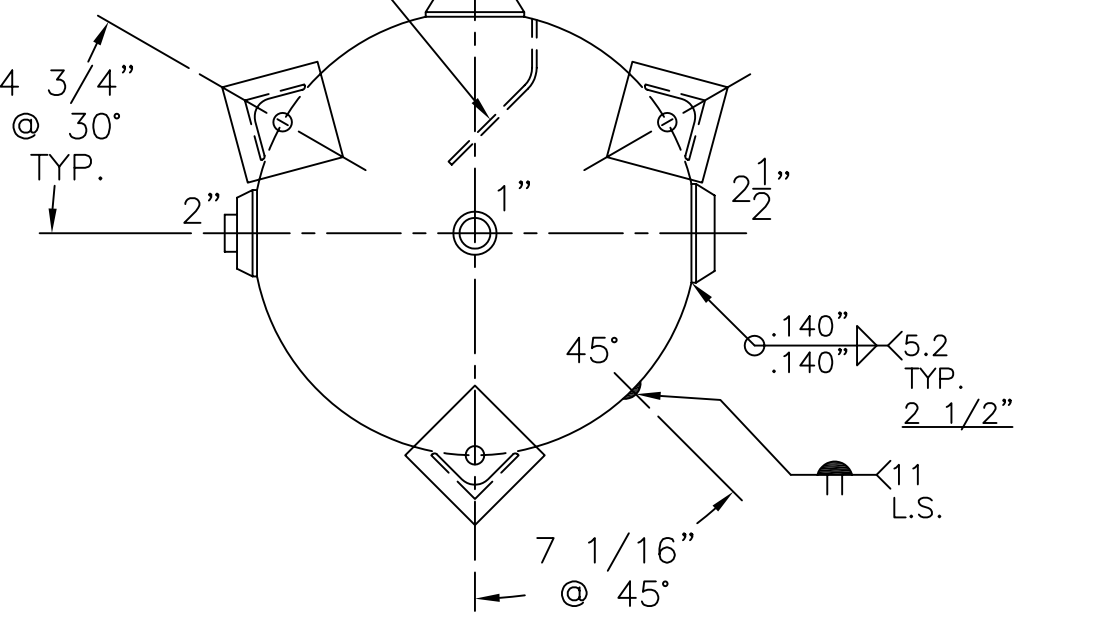
1 1/2" - 3000#
FULL CPLG.
5.2 TYP. 5/32"
CPLGS.

STD. BAFFLE
3 1/2" x 7" LG.
304 S.S.

2" R (10" R)
W/ C.I. PLUG
INSP. OPENINGS
(2) PLC'S.

(3) 2 1/2" x 2 1/2" x 3/16" THK.
x 16" LG. ANGLE LEGS
(3) 4" x 4" x 1/4" THK.
PAD W/ 3/4" Ø HOLE
FOR 1/2" Ø x 8" LG. BOLTS
GRADE 5 OR BETTER
6" EMBEDMENT

2 1/2" R W/ LONG PILOT
(MACHINED TO 3 3/4" O.D.)
(4) PLC'S.



NOTE: 1) HYDRO @ 195 PSIG. MIN.

SHELL / HEADS	
JOGGLE	.135" SA-414-G 2:1 S.E.
	.136" SA-414-G
M.A.W.P.	150 PSIG. @ 250 °F
M.D.M.T.	-20 °F @ 150 PSIG.
ASME SECTION VIII	DIV. 1, 2007 ADD 2009
X-RAY:	RT-NO
GALLONS:	60 WT. 180 LBS.
SERIAL NO.	
N.B.	

WM-993-B	
FOR: -	REV. 7-9-10
VERT. HOT WATER (BUFFER) TANK	DATE: 7-8-10
SURFACE AREA = 24.9 SQ. FT.	
INSIDE: UNPAINTED	
OUTSIDE: SHOP PRIME	
BY: E.S. / C.J.	SCALE: 1/8" = 1"
ROY E. HANSON JR. MFG.	
1600 E. WASHINGTON BLVD. LOS ANGELES, CA 90021	