

2"R W/C.I. PLUG
INSP. OPENING
(2) PLC'S

1/2"Ø LPG
L.LUG

1/2"Ø R.B.
N.S. & F.S.

5.2 > 5/32" TYP.
5/32" TYP.

3"-150# R.F.S.O.
FLG. W/SCH 40
SA-53-B-ERW
PIPE x 7"LG.
(2) PLC'S

5.8 > .120" TYP.

.135" - BAFFLE
PER WL-616-B-1A

225° 135°

1"Ø R.B.
N.S. & F.S.

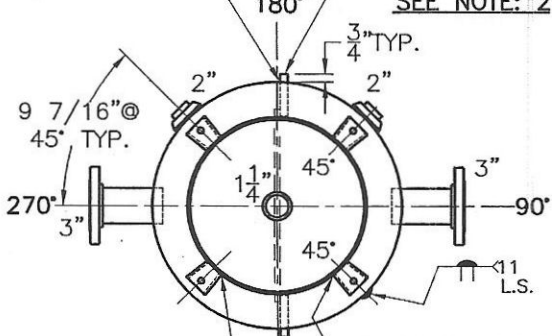
(4) 2 3/4"LG.
WELDS @ 90°

15 1/2" 7/8" 3" 7 1/2" 6"

(4) 4" DIA. HOLES
@ 90° APART

5.7 FULL PEN. 1/32" TYP.
5/32" TYP.

1/2"Ø ROUND BAR
SA-36 x 6"LG. (4) PLC'S
SEE NOTE: 2



1/4"THK. CLIPS PER
MA-395-B (4) PLC'S
W 9/16"Ø HOLE ON
20 3/8"B.C.; WELD OUTSIDE
VERT. EDGE OF
CLIP ONLY

SHELL / HEADS		NOTE: 1) HYDRO @ 163 PSIG. MIN.	
JOGGLE	.160" SA-414-G 2:1 S.E.	2) WELD 1/2"Ø ROUND BARS TO SHELL AFTER HEADS ARE IN PLACE.	
	.136" SA-414-G	3) IMPACT TESTED? NO UG-20 (F)	
M.A.W.P.	125 PSIG. @ 150 °F	4) NPT'S 2" & SMALLER WELD PER UW-16 (F)(5)	
M.D.M.T.	0 °F @ 125 PSIG.		
ASME SECTION VIII	DIV. 1, 2010 ADD 2011		
X-RAY:	RT-NO		
GALLONS:	120		
SERIAL NO.	WT. 364 LBS.		
N.B.			
FOR: VERT. CHILLED WATER TANK		REV. 5-15-13	
SURFACE AREA = 35.9 SQ. FT.		DATE: 8-1-06	
INSIDE: UNPAINTED			
OUTSIDE: PRIME			
BY: J.G./B.C. SCALE: 1"=12"			
ROY F. HANSON JR. MFG.			
1600 E. WASHINGTON BLVD.			
LOS ANGELES, CA 90021			