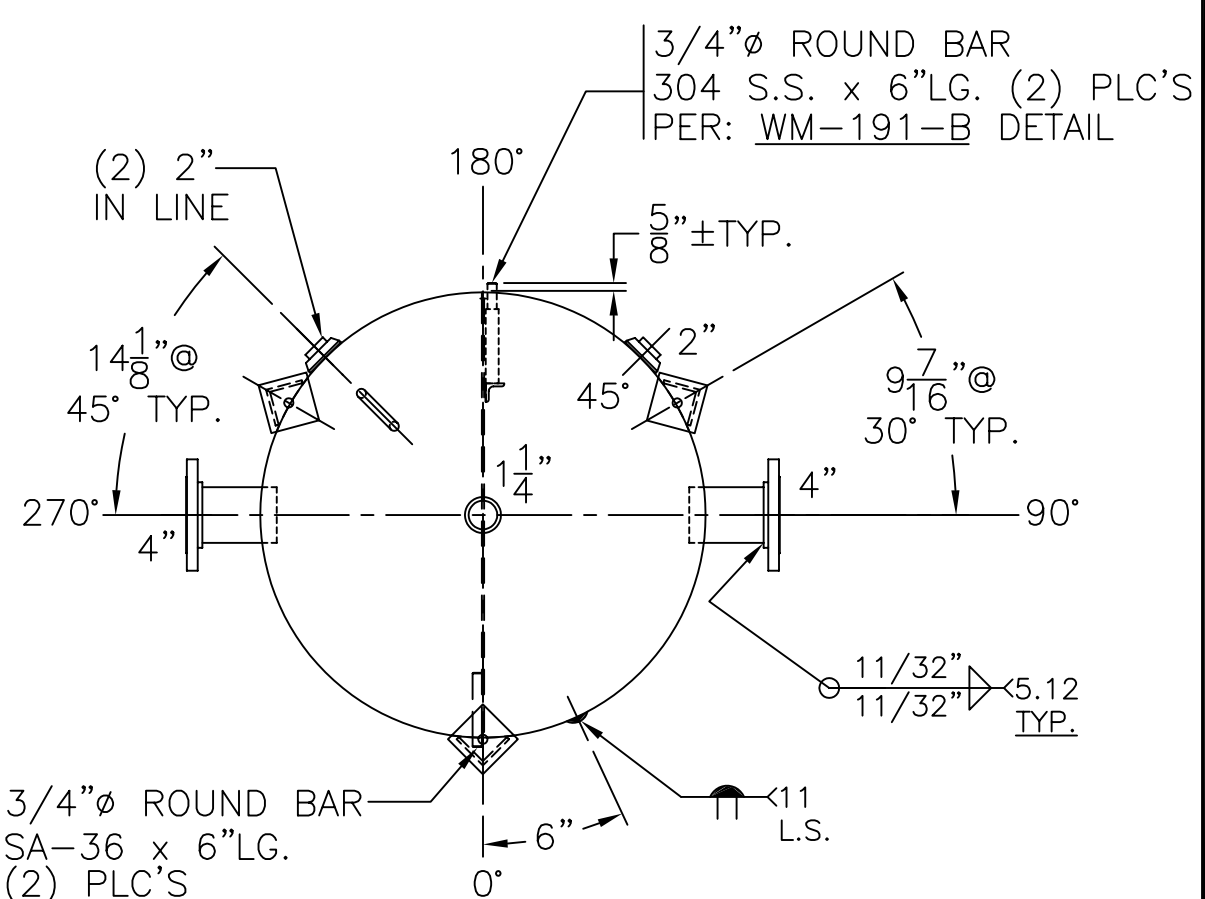


(3) 3"x 3"x 1/4" THK. x 22 7/8" LG. ANGLE LEGS

(3) 4"x 4"x 3/8" THK. PAD W/ 7/8" ϕ HOLES FOR 5/8" ϕ x 8" LG. BOLTS GRADE 5 OR BETTER 6" EMBEDMENT



NOTE: 1) HYDRO @ 195 PSIG. MIN.
 2) WELD 3/4" ϕ ROUND BARS TO SHELL AFTER HEADS ARE IN PLACE.
 3) LOAD 45° DOWN.

SHELL / HEADS		WL-818-B	
M.A.W.P.	150 PSIG. @ 200 °F	FOR: -	REV. 1-28-11
M.D.M.T.	0 °F @ 150 PSIG.	VERT. CHILLED WATER TANK	DATE: 2-12-07
ASME SECTION VIII	DIV. 1, 2010 ADD. 2010	SURFACE AREA = 64.8 SQ. FT.	
X-RAY:	RT-4 SPOT L.S. ONLY	UW-21 (b)	
GALLONS:	300	INSIDE: UNPAINTED	
SERIAL NO.		OUTSIDE: PRIME	
N.B.		LEG ZONE: 4-15 KM.	
		BY: J.G./C.J.	
		SCALE: 3/4"=12"	
		ROY E. HANSON JR. MFG.	
		1600 E. WASHINGTON BLVD.	
		LOS ANGELES, CA 90021	