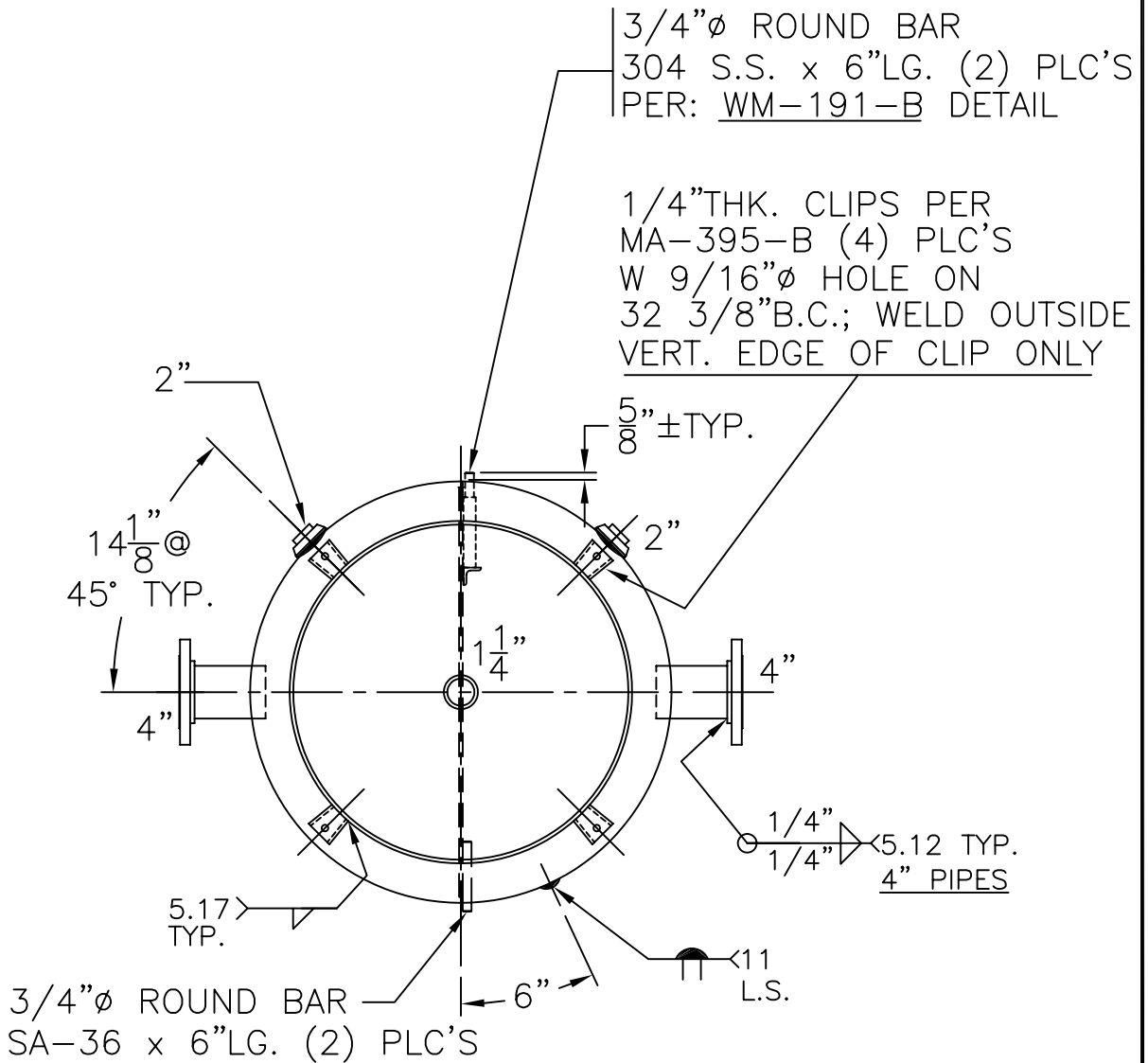


4"-150# R.F.S.O. FLG.  
W/ SCH. 40 SA-106-B  
PIPE x 7 1/16" LG.  
(2) PLC'S.

2" R W/ C.I. PLUG  
INSP. OPENINGS  
(2) PLC'S.

.135" - BAFFLE  
PER: WL-556-B-1A

SHELL / HEADS		NOTE: 1) HYDRO @ 195 PSIG. MIN.	
M.A.W.P.	150 PSIG. @ 200 °F	2) WELD 3/4" Ø ROUND BARS TO SHELL AFTER HEADS ARE IN PLACE.	
M.D.M.T.	0 °F @ 150 PSIG.	1) 182" SA-414-G 2:1 S.E.	
ASME SECTION VIII	DIV. 1, 2007 ADD. 2008	JOGGLE - .149 OFFSET	
X-RAY:	RT-NO	.195" SA-455	
GALLONS:	400	WT. 801 LBS.	
SERIAL NO.		FOR: -	
N.B.		VERT. CHILLED WATER TANK	
		SURFACE AREA = 81.4 SQ. FT.	
		UW-21 (b)	
		INSIDE: UNPAINTED	
		OUTSIDE: PRIME	
BY: J.G./C.J.	SCALE: 3/4"=12"	WL-932-B	
ROY E. HANSON JR. MFG.		REV. 8-18-09	
1600 E. WASHINGTON BLVD.		DATE: 5-24-07	
LOS ANGELES, CA 90021			



3/4" Ø ROUND BAR  
304 S.S. x 6" LG. (2) PLC'S  
PER: WM-191-B DETAIL

1/4" THK. CLIPS PER  
MA-395-B (4) PLC'S  
W 9/16" Ø HOLE ON  
32 3/8" B.C.; WELD OUTSIDE  
VERT. EDGE OF CLIP ONLY

3/4" Ø ROUND BAR  
SA-36 x 6" LG. (2) PLC'S