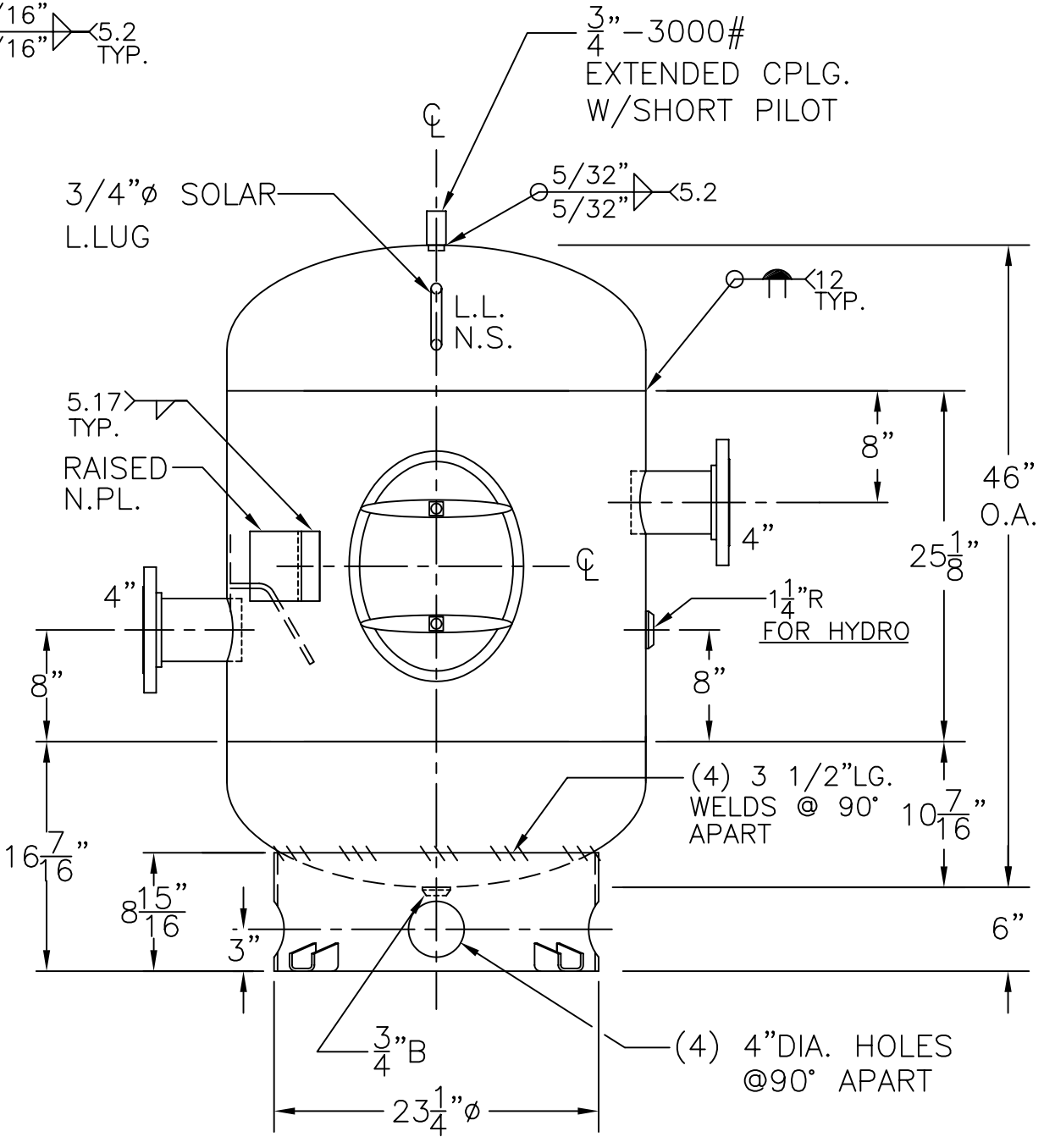


4"-150# R.F.S.O.
FLG. W/SCH 40
PIPE x 7 1/16"LG.
(2) PLC'S

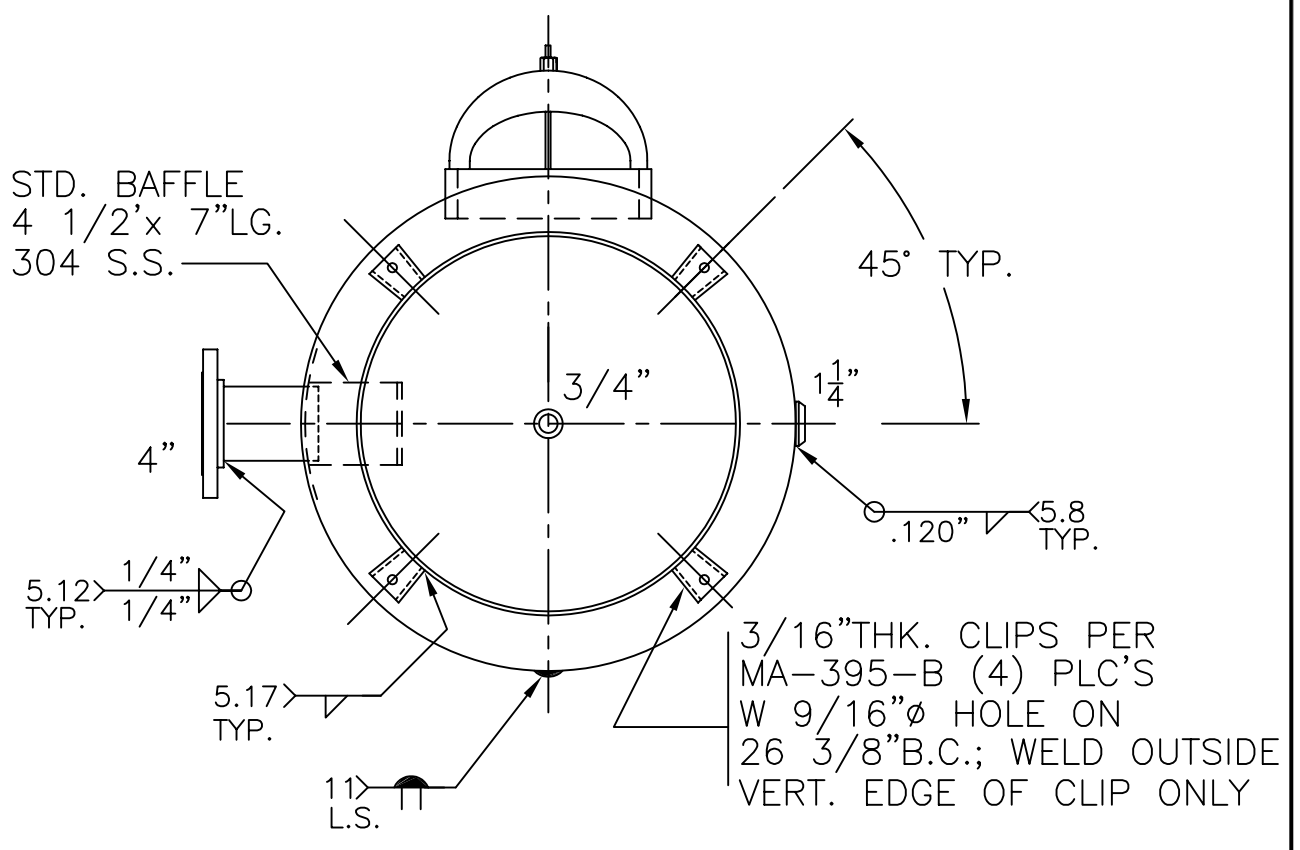
3"
STICK OUT

11"x 15" H. HOLE
W/ 3/4"x 3"LG.
GR.70 RING



NOTE: 1) HYDRO @ 164 PSIG. MIN.

SHELL / HEADS	.166" SA-414-G 2:1 S.E.
JOGGLE	
M.A.W.P.	125 PSIG. @ 180 °F
M.D.M.T.	0 °F @ 125 PSIG.
ASME SECTION VIII	DIV. 1, 2004 ADD 2006
X-RAY:	RT-NO
GALLONS:	122
WT.	385 LBS.
SERIAL NO.	
N.B.	



3/16"THK. CLIPS PER
MA-395-B (4) PLC'S
W 9/16"Ø HOLE ON
26 3/8"B.C.; WELD OUTSIDE
VERT. EDGE OF CLIP ONLY

WM-007-B	REV.
FOR: -	DATE: 8-6-07
VERT. CHILLED WATER (BUFFER) TANK	
SURFACE AREA = 33.4 SQ. FT.	
INSIDE: EPOXY LINED	
OUTSIDE: SAND BLAST, ZINC PRIME	
BY: J.G./STEVE	SCALE: 1"=12"
ROY E. HANSON JR. MFG.	
1600 E. WASHINGTON BLVD.	
LOS ANGELES, CA 90021	