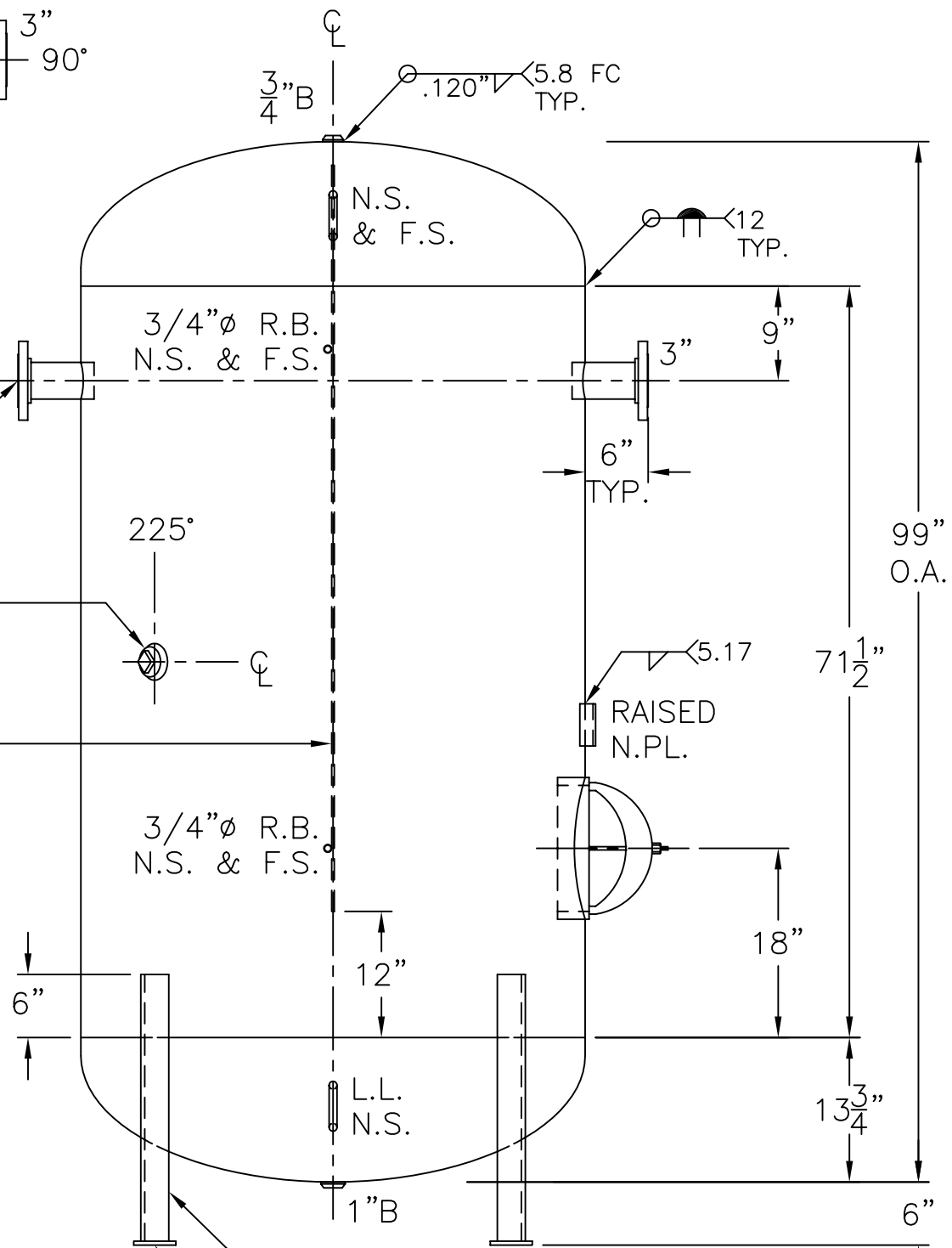


3/4"Ø SOLAR LIFT LUG (3) PLC'S.

3"-150# R.F.S.O. FLG. W/ SCH. 40 PIPE x 7"LG. (2) PLC'S.

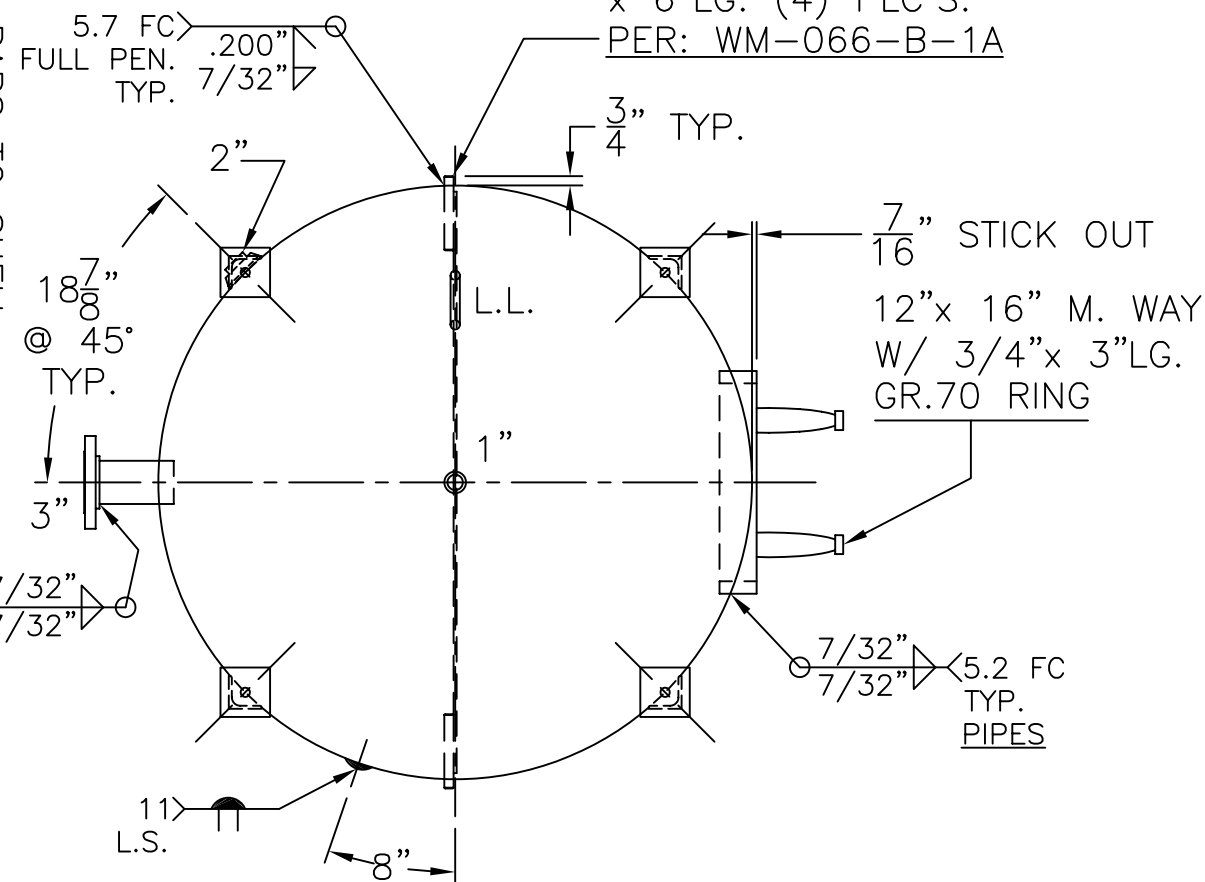
2"B W/ C.I. PLUG FOR INSPECTION OPENING

.200"THK.-INT. BAFFLE PER: WM-066-B-1A



(4) 3"x 3"x 3/8"THK. x 25 3/8"LG. ANGLE LEGS
 (4) 4"x 4"x 3/8"THK. PAD W/ 3/4"Ø HOLE FOR 1/2"Ø x 6"LG. BOLTS GRADE 5 OR BETTER

3/4"Ø ROUND BAR x 6"LG. (4) PLC'S. PER: WM-066-B-1A



NOTE: 1) HYDRO @ 165 PSIG. MIN.
 2) WELD 3/4"Ø ROUND BARS TO SHELL AFTER HEADS ARE IN PLACE.

SHELL / HEADS	
M.A.W.P.	125 PSIG. @ 200 °F
M.D.M.T.	0 °F @ 125 PSIG.
ASME SECTION	VIII DIV. 1, 2004 ADD. 2006
X-RAY:	RT-4 SPOT L.S. ONLY
GALLONS:	697 WT. 1428 LBS.
SERIAL NO.	
N.B.	

WM-066-B	
FOR:	VERT. CHILLED WATER (BUFFER) TANK
	SURFACE AREA = 113.2 SQ. FT.
INSIDE:	UNPAINTED
OUTSIDE:	PRIME
LEG-ZONE	3-15 KM.
BY: E.S. / H.D.	SCALE: 3/4"=12"
ROY E. HANSON JR. MFG.	
1600 E. WASHINGTON BLVD. LOS ANGELES, CA 90021	
REV.	DATE: 10-4-07