

6"-150# R.F.S.O.  
 FLG. W/ SCH. 40  
 SA-106-B  
 PIPE x 7 5/8" LG.  
 (2) PLC'S.

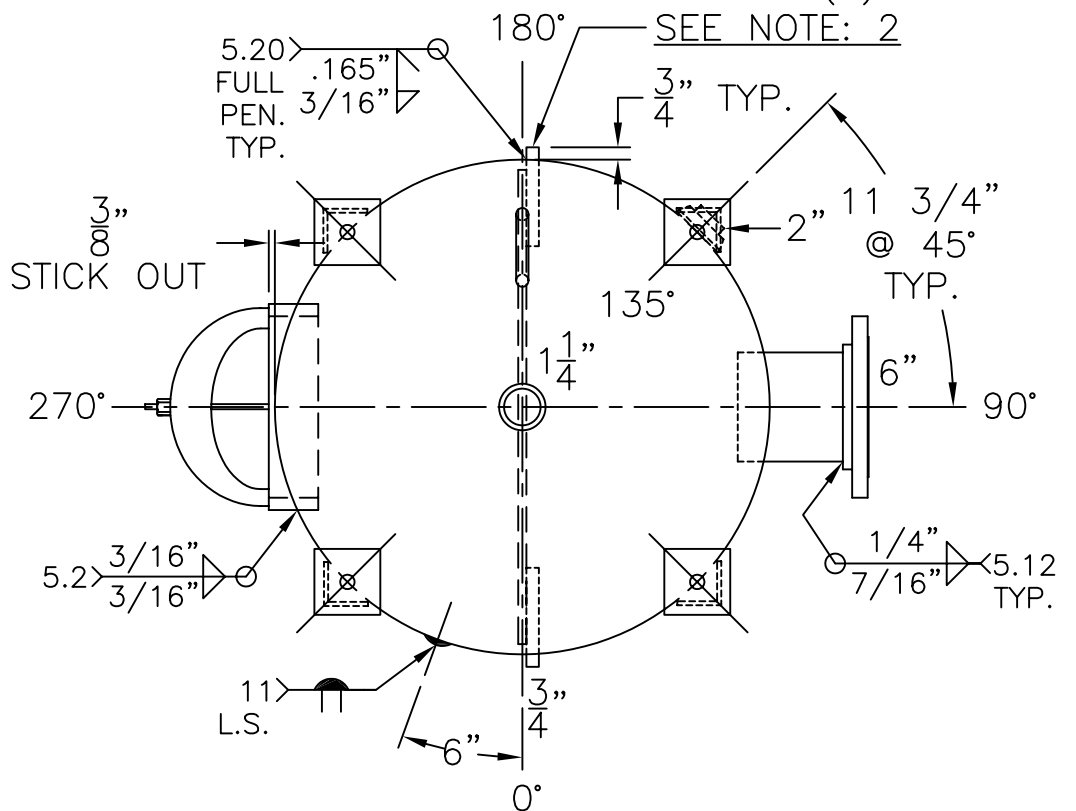
.136" THK. BAFFLE  
 PER: WL-264-B-1A

11"x 15" H. HOLE  
 W/ 1"x 3" LG.  
 GR.70 RING

(4) 2 1/2" x 2 1/2" x 3/16" THK.  
 x 22 1/16" LG. ANGLE LEGS

(4) 4" x 4" x 1/4" THK.  
 PAD W/ 7/8" Ø HOLE  
 FOR 5/8" Ø x 8" LG. BOLTS  
 GRADE 5 OR BETTER  
 6" EMBEDMENT

3/4" Ø ROUND BAR SA-36  
 x 6" LG. (4) PLC'S.  
 SEE NOTE: 2



NOTE: 1) 2) WELD 3/4" Ø ROUND BARS TO SHELL AFTER HEADS ARE IN PLACE.  
 HYDRO @ 195 PSIG. MIN.

SHELL / HEADS		M.A.W.P. 150 PSIG. @ 200 °F	
.166" SA-414-F 2:1 S.E.		M.D.M.T. 0 °F @ 150 PSIG.	
JOGGLE		ASME SECTION VIII DIV. 1, 2010 ADD 2010	
.165" SA-414-G		X-RAY: RT-NO	
		GALLONS: 200 WT. 620 LBS.	
		SERIAL NO.	
		N.B.	
FOR: -		BY: E.S. / C.J. SCALE: 1"=12"	
VERT. CHILLED WATER TANK		LEG-ZONE 3-15 KM.	
SURFACE AREA = 50.7 SQ. FT.		ROY E. HANSON JR. MFG.	
UW-21(b)		1600 E. WASHINGTON BLVD.	
INSIDE: UNPAINTED		LOS ANGELES, CA 90021	
OUTSIDE: PRIME			
WN-350-B		REV. DATE: 9-28-11	