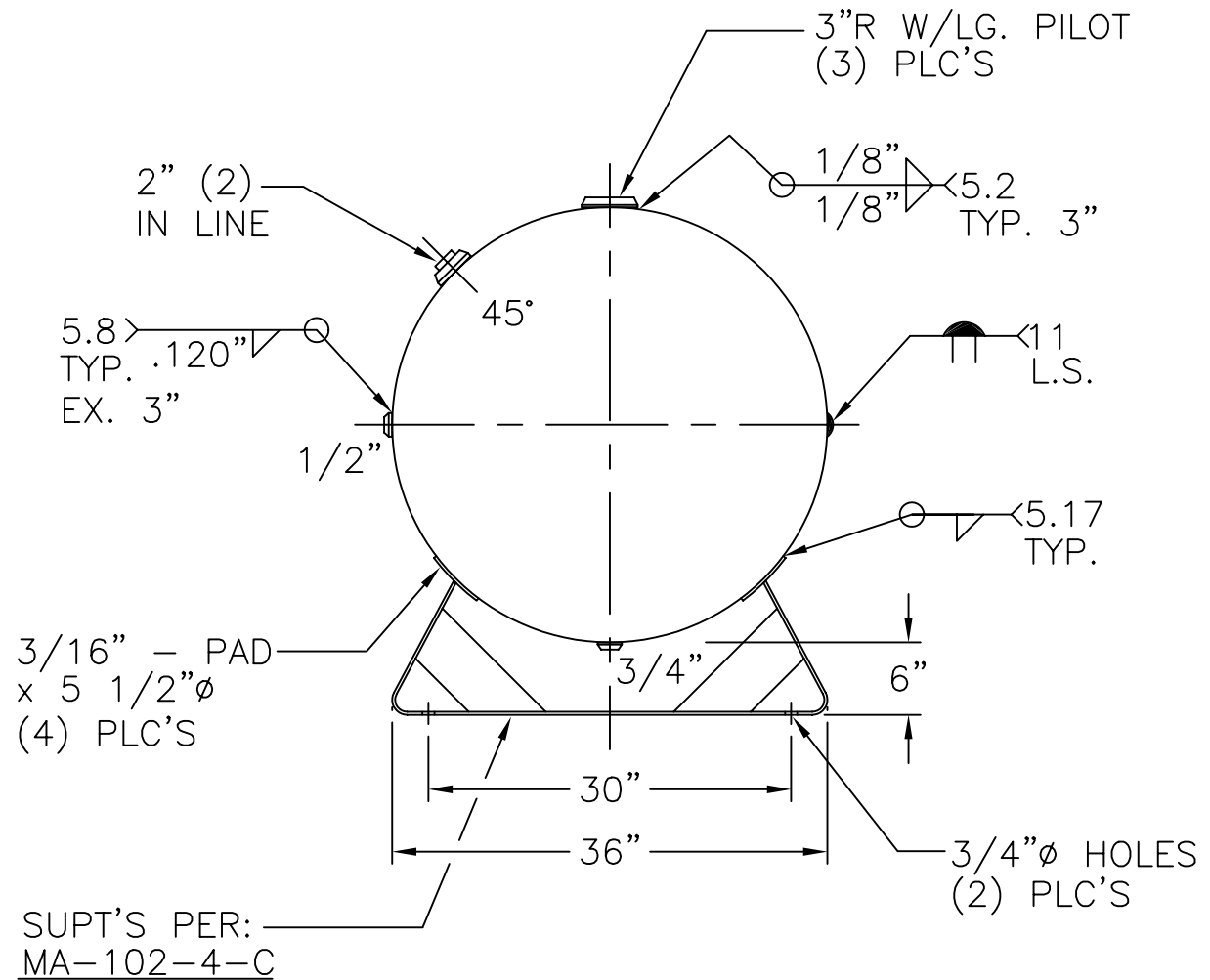


VIEW W/OUT SUPT'S



NOTE: 1) HYDRO @ 179 PSIG. MIN.

HEADS	.182" SA-455 2:1 S.E.	36-HQ-400-W	REV. 11-12-02
	JOGGLE		DATE: 9-4-80
SHELL	.166" SA-414-G	FOR: HANSON STANDARD	
		HORIZ. AIR TANK	
		INSIDE: UNPAINTED	
	M.A.W.P. 137 PSIG. @ 400 °F	OUTSIDE: PRIME	
	M.D.M.T. -20 °F @ 137 PSIG.	CAD-"B" SIZE UNDER "STD"-SERIES	
	ASME SECTION VIII DIV. 1, 2001	BY: J.G. SCALE: 3/4"=12"	
	X-RAY: RT-NO	ROY E. HANSON JR. MFG.	
	GALLONS: 400 WT. 628 LBS.	1924 COMPTON AVE.	
	SERIAL NO.	LOS ANGELES, CA 90011	