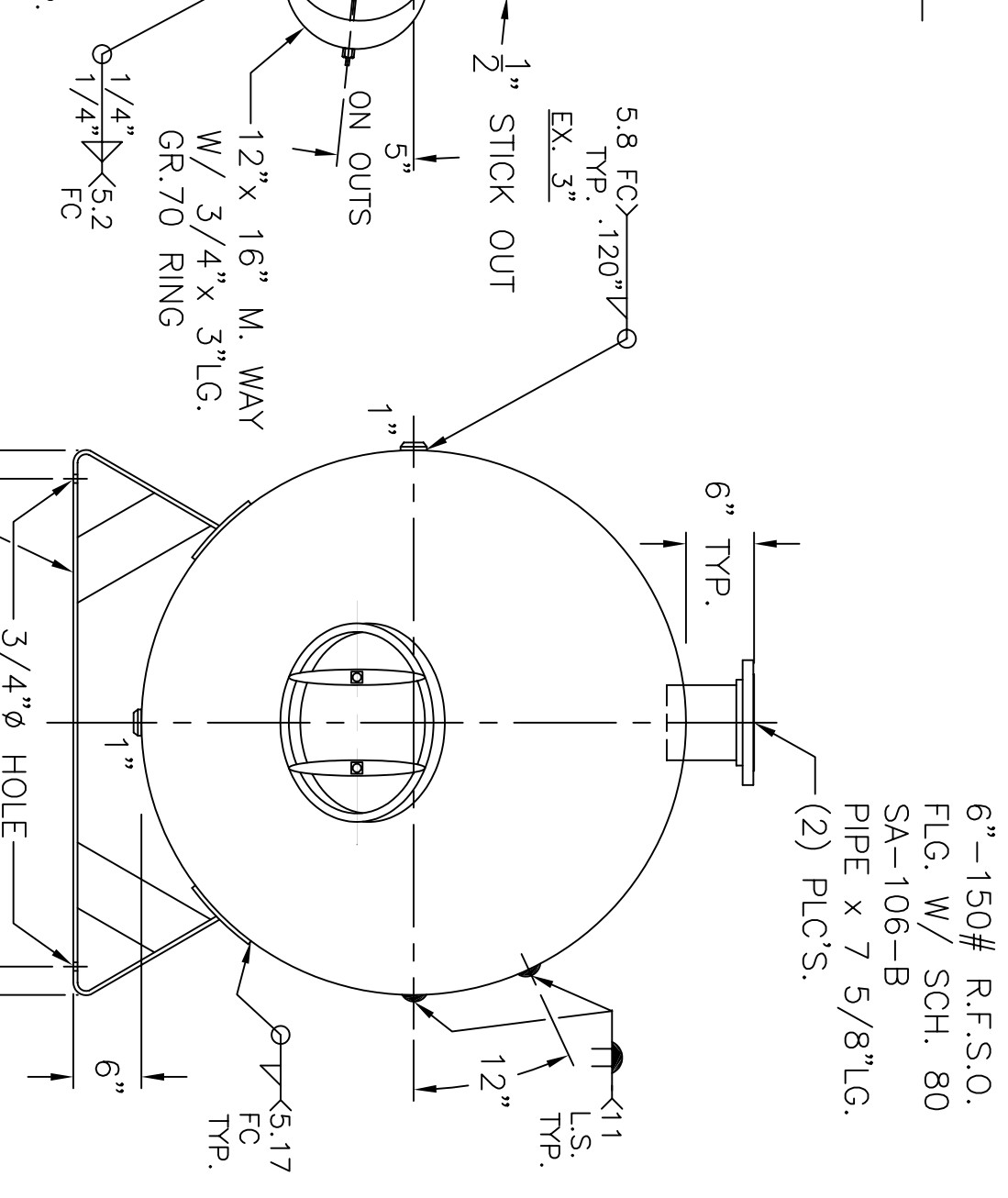
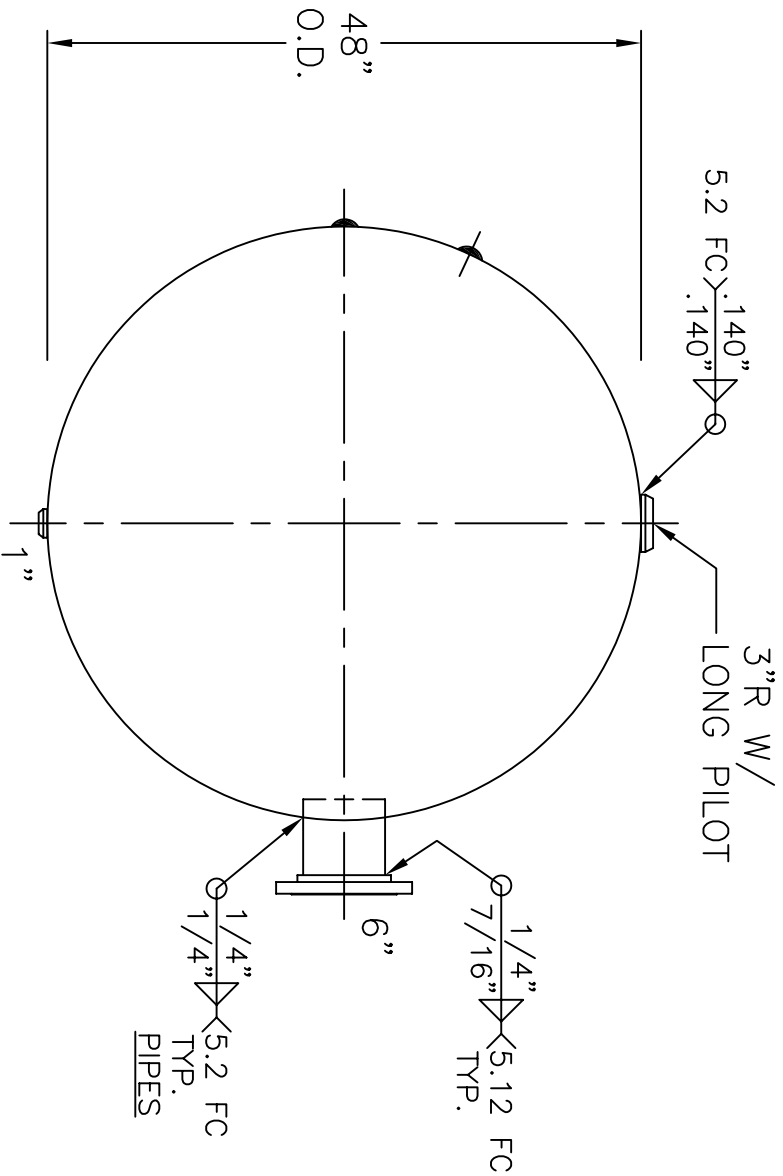


6"-150# R.F.S.O.  
 FLG. W/ SCH. 80  
 SA-106-B  
 PIPE x 7 5/8"LG.  
 (2) PLC'S.



SUPPORTS PER:  
 MA-102-6C



VIEW W/O SUPPORTS

NOTE: 1) HYDRO TEST @ 215 PSIG. MIN.

SHELL / HEADS		.250" SA-455 2:1 S.E.		48-HM-1060-W		REV. 9-18-13	
JOGGLE				FOR: HANSON STANDARD		DATE: 5-30-86	
.230" SA-455				HORIZ. AIR TANK		SURFACE AREA = 160.4 SQ. FT.	
				LW-21(b)		INSIDE: UNPAINTED	
M.A.W.P. 165 PSIG. @ 400 °F				OUTSIDE: PRIME			
M.D.M.T. -20 °F @ 165 PSIG.				CAD-"B" SIZE UNDER "STD"-SERIES			
ASME. SECTION VIII DIV. 1, 2010 ADD 2011				BY: E.S.   SCALE: 3/4"=12"			
X-RAY: RT-4 SPOT L.S. ONLY				<b>ROY E. HANSON JR. MFG.</b>		1600 E. WASHINGTON BLVD.	
GALLONS: 1060   WT. 1896 LBS.				LOS ANGELES, CA 90021			
SERIAL NO.							
N.B.							