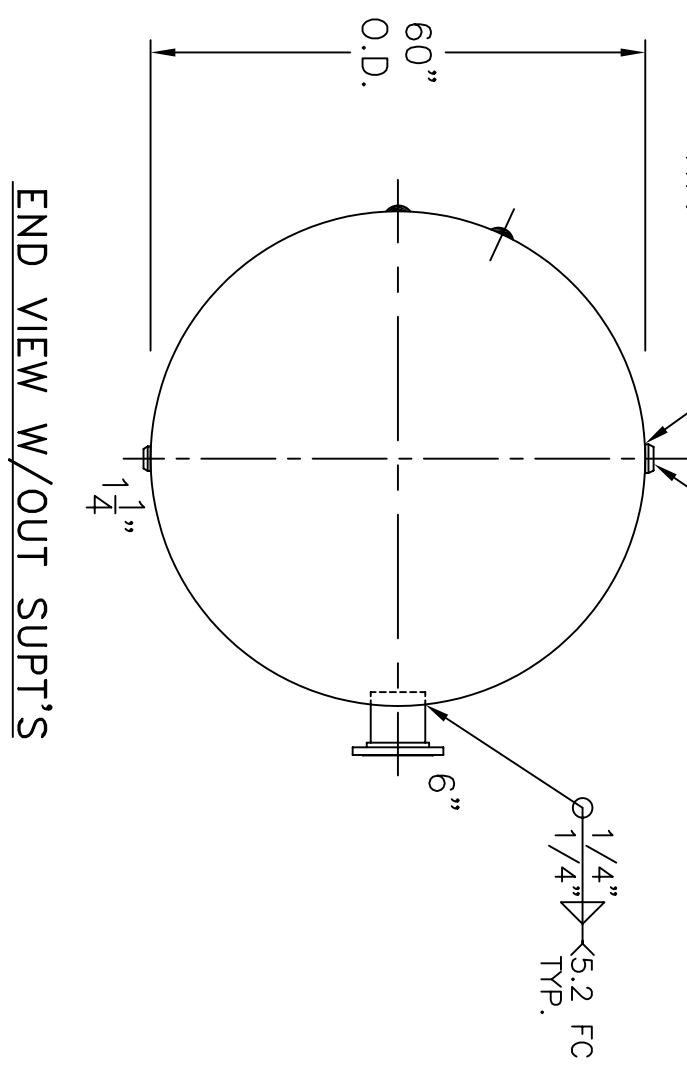


NOTE: 1) HYDRO @ 179 PSIG. MIN.



SHELL / HEADS		60-HQ-2180-W	
LEFT -	.248" SA-455 2:1 S.E. (.194" MIN.)	REV. 8-22-11	
RIGHT -	.248" SA-455 2:1 S.E. (.223" MIN.)	DATE: 9-26-80	
	.248" SA-455		
M.A.W.P.	137 PSIG. @ 400 °F		
M.D.M.T.	-20 °F @ 137 PSIG.		
ASME SECTION VIII	DIV. 1, 2010 ADD 2010		
X-RAY: RT-4 SPOT L.S. & HDS. G.S.			
GALLONS:	2180 WT. 3228 LBS.		
SERIAL NO.			
N.B.			
INSIDE:	UNPAINTED		
OUTSIDE:	PRIME		
CAD-"B" SIZE UNDER "STD"-SERIES			
BY: J.G.	SCALE: 1/2"=12"		
ROY E. HANSON JR. MFG.			
1600 E. WASHINGTON BLVD.			
LOS ANGELES, CA 90021			