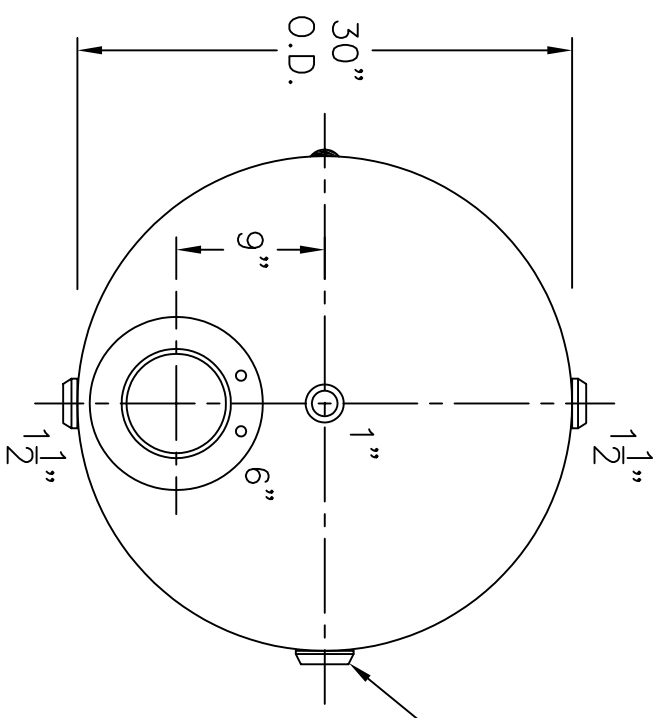


S.S. N.P.L. ON
 6"-8.2# CHANNEL
 x 5 1/2" LG.
 FOR NAME PLATE
 INSTALL N.P.L.-
 TACK (4) CORNERS
 ONLY AFTER GALV.

2" R
 (PLUG AFTER GALV.)



NOTE: 1) HYDRO @ 188 PSIG. MIN. TO 197 PSIG. MAX.

SHELL / HEADS		HEADS	
.140" SA-414-G 2:1 S.E.		WM-839-B	
JOGGLE		REV.	
		DATE: 11-6-09	
.136" SA-414-G		FOR: -	
		HORIZ. HOT WATER TANK	
		SURFACE AREA = 50.6 SQ. FT.	
		INSIDE: GALVANIZED	
		OUTSIDE: GALVANIZED	
M.A.W.P. 125 PSIG. @ 210 °F			
ASME. SECTION IV 2007 ADD 2008			
X-RAY: RT-NO			
GALLONS: 200		WT. 338 LBS.	
SERIAL NO.			
N.B.			
		BY: J.G./C.J.	
		SCALE: 1"=12"	
		ROY E. HANSON JR. MFG.	
		1600 E. WASHINGTON BLVD.	
		LOS ANGELES, CA 90021	