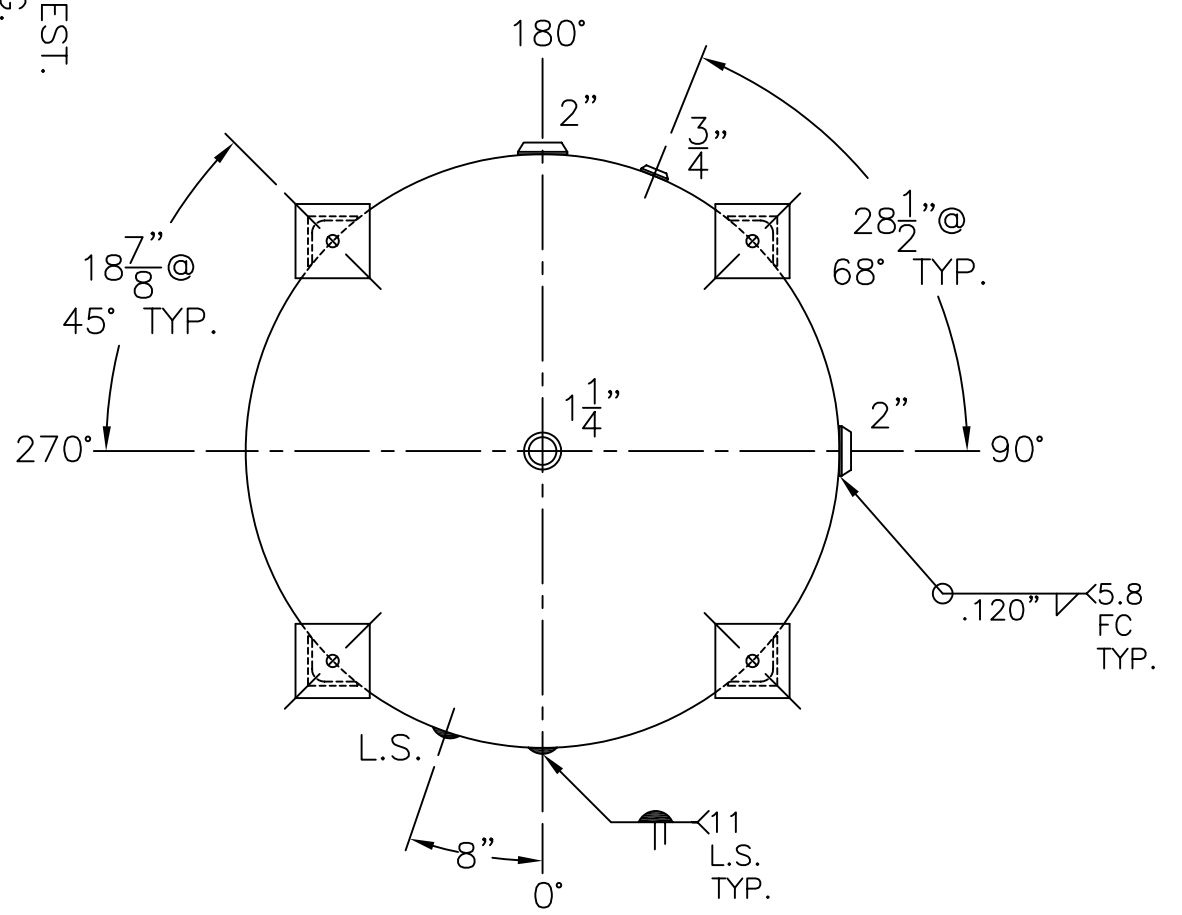


(4) 4" x 4" x 3/8" THK. x 24 1/4" LG. ANGLE LEGS

(4) 6" x 6" x 1/2" THK. PAD W/ 7/8" Ø HOLE FOR 5/8" Ø x 8" LG. BOLTS GRADE 5 OR BETTER 6" EMBEDMENT



NOTE: 1) HYDRO @ 240 PSIG.
2) 4-22-04 PROOF TEST.

SHELL / HEADS		M.A.W.P. 160 PSIG. @ 180 °F	
.245" SA-455 2:1 S.E.		ASME SECTION IV 2010 ADD. 2010	
JOGGLE		X-RAY: RT-NO / H.L.W.	
.200" SA-455		GALLONS: 900 WT. 1369 LBS.	
		SERIAL NO.	
		N.B.	
ES-48-900-V		REV. 7-13-11	
FOR: HANSON STANDARD		DATE: 9-6-89	
VERT. WATER TANK.			
SURFACE AREA = 136.7 SQ. FT.			
INSIDE: EPOXY LINED			
OUTSIDE: PRIME			
LEG-ZONE 4-15 KM.			
CAD-"B" UNDER "STD"-SERIES			
BY: E.S.		SCALE: 3/4" = 1'	
ROY E. HANSON JR. MFG.			
1600 E. WASHINGTON BLVD.			
LOS ANGELES, CA 90021			